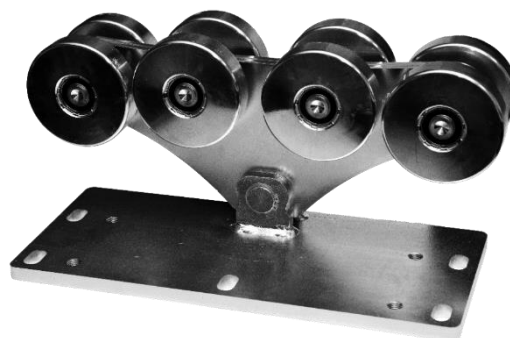


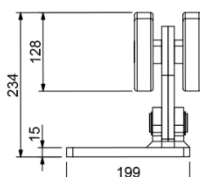
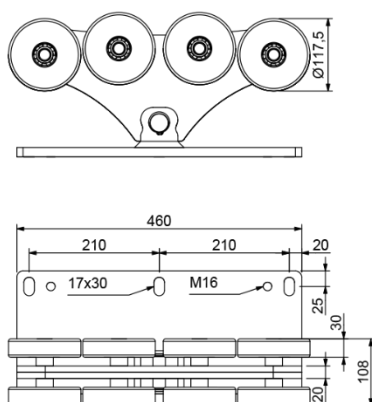
Technical report


Art.



SPEED LK

Art.	SPEED LK
Product	EIGHT WHEELED CARRIAGE FOR CANTILEVER GATE
Item code	1700366
Material	Body - S 235 JR, Roller - C45, Pin - 11SMn30, Distancial - 11SMn30, Bearing - 6004 2RS, Retaining ring - DIN 471
Surface finish	ČSN EN ISO 19598 - Fe//Zn12//Cn//T2nL
Guarantee	24 months



Art.	A	GUIDE	1pc			CODE
	max. mm			pc	kg	
SPEED LK	13500	STAGE LB/LZ	39,5	1	39,5	1700366