

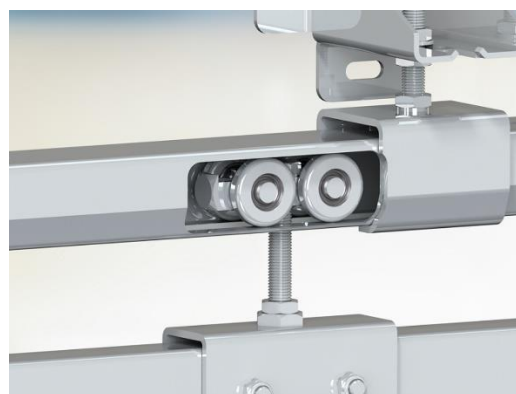
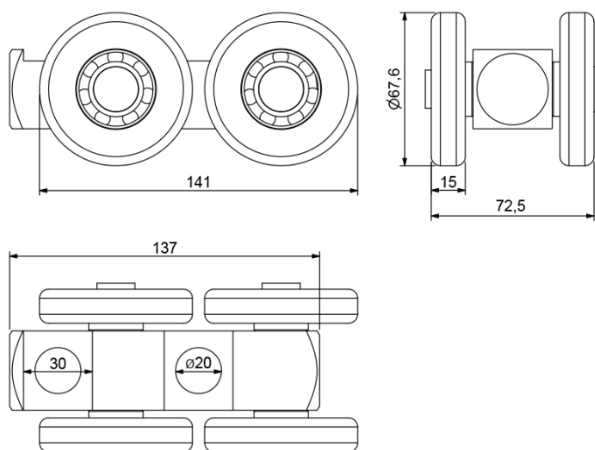
## Technical report

Art.



## SPEED CM

<b>Art.</b>	SPEED CM
<b>Product</b>	FOUR WHEELED CARRIAGE FOR SLIDING DOORS
<b>Item code</b>	1700360
<b>Material</b>	Body - S 355 , Roller - C45, Pin - 11SMn30, Distancial - 11SMn30, Bearing - 6203 2RS
<b>Surface finish</b>	ČSN EN ISO 19598 - Fe//Zn12//Cn//T2nL
<b>Guarantee</b>	24 months



Art.	GUIDE	CAPACITY	1pc		CODE
			pcs	kg	
<b>SPEED CM</b>	STAGE MZ	980	4	10,2	1700360