

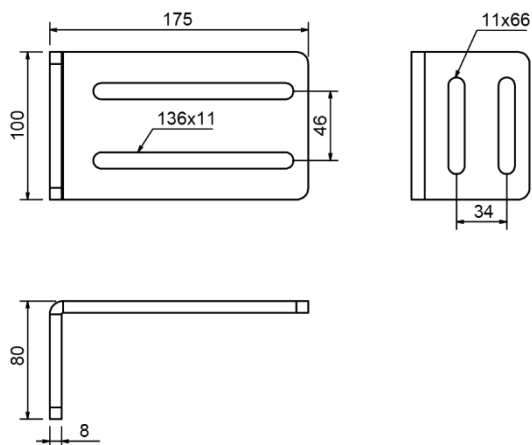
## Technical report


Art.



## PARK CSM

<b>Art.</b>	PARK CSM
<b>Product</b>	END STOP BRACKET
<b>Item code</b>	1700359
<b>Material</b>	Body S 235 JR, Bolt M 10x25 - DIN 603, Nut M 10 - DIN 6923
<b>Surface finish</b>	ČSN EN ISO 19598 - Fe//Zn12//Cn//T2nL
<b>Guarantee</b>	24 months



Art.	BRACKET	1pc			CODE
		kg	pcs	kg	
<b>PARK CSM</b>	LAST/PADDOCK	1,36	2	2,72	1700359