

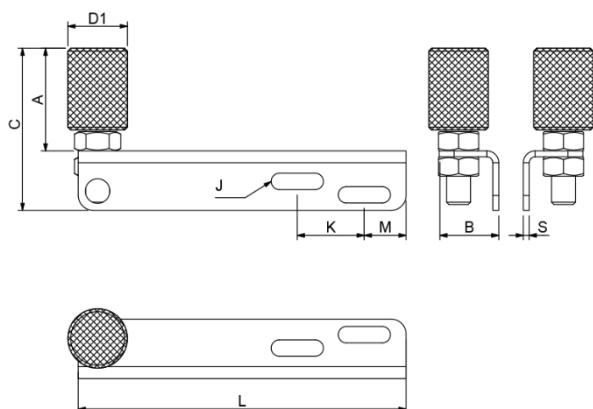
Technical report

Art.

JBS 30



Art.	JBS 30
Product	NYLON GUIDE ROLLER WITH BEARINGS WITH SUPPORT BRACKET
Item code	1700356
Material	Body - S 235 JR, Bolt M 14 - C45, Nut M 14 - DIN 934, Plastic roller - POLYAMID 6 XT, Distancial - 11SMn30, Bearing - 61901 2RS, Retaining ring - DIN 471, Retaining ring - DIN 472
Surface finish	ČSN EN ISO 19598 - Fe//Zn12//Cn//T2nL
Guarantee	24 months



Art.	D1	L	A	B	C	J	K	M	S	1pc			CODE
										kg	pcs	kg	
	∅	mm								kg	pcs	kg	
JBS 30	31	180	53	35	88	9x35	45	28	3	0,41	10	4,1	1700356
JBM 40	40	220	70	40	110	11x35	45	28	4	0,75	6	4,5	1700357