



HANGGAR

HANGAR 6.6	
SPEED C	4 pcs
STAGE SZ 6	2 pcs
STAGE SZ 1	1 pc
DF 190	2 pcs
DC 70	21 pcs
KHL 140	21 pcs
FINISH S	2 pcs
MCD 60/6	4 pcs
AD 150	4 pcs
MS 40	1 pc
KL 70	1 pc
TL 30	1 pc
TL 40	1 pc
TL 70	7 pcs
TL 90	1 pc
RS 40	4 pcs
CODE: 1710904	WEIGHT: 170 kg

HANGAR 4.4	
SPEED C	3 pcs
STAGE SZ 4	2 pcs
STAGE SZ 1	1 pc
DF 190	2 pcs
DC 70	15 pcs
KHL 140	15 pcs
FINISH S	2 pcs
MCD 60/4	4 pcs
AD 150	3 pcs
MS 40	1 pc
KL 70	1 pc
TL 30	1 pc
TL 40	1 pc
TL 70	6 pcs
TL 90	1 pc
RS 40	4 pcs
CODE: 1710905	WEIGHT: 126 kg

HANGAR 2.2	
SPEED C	2 pcs
STAGE SZ 2,8	2 pcs
DF 190	1 pc
DC 70	10 pcs
KHL 140	10 pcs
FINISH S	2 pcs
MCD 60/4	2 pcs
AD 150	2 pcs
MS 40	1 pc
KL 70	1 pc
TL 30	1 pc
TL 40	1 pc
TL 70	5 pcs
TL 90	1 pc
RS 40	4 pcs
CODE: 1710906	WEIGHT: 68 kg

BRUSH 6.6	
BD 25/2	3 pcs
BD 35/2	9 pcs
BD 45/2	3 pcs
AD 25/2	9 pcs
AS 25/2	3 pcs
AR 25/2	3 pcs
CODE: 1710907	WEIGHT: 9 kg

BRUSH 4.4	
BD 25/2	2 pcs
BD 35/2	6 pcs
BD 45/2	2 pcs
AD 25/2	6 pcs
AS 25/2	2 pcs
AR 25/2	2 pcs
CODE: 1710908	WEIGHT: 6,5 kg

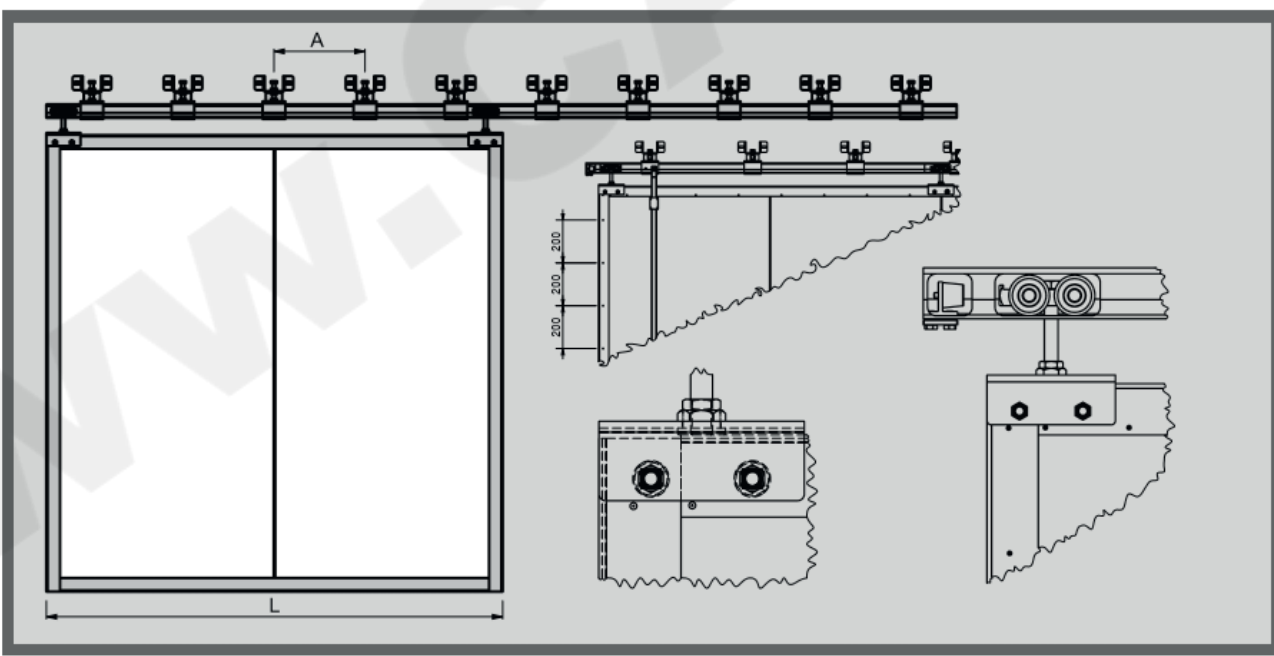
BRUSH 2.2	
BD 25/2	1 pc
BD 35/2	3 pcs
BD 45/2	1 pc
AD 25/2	3 pcs
AS 25/2	1 pc
AR 25/2	1 pc
CODE: 1710909	WEIGHT: 3,5 kg

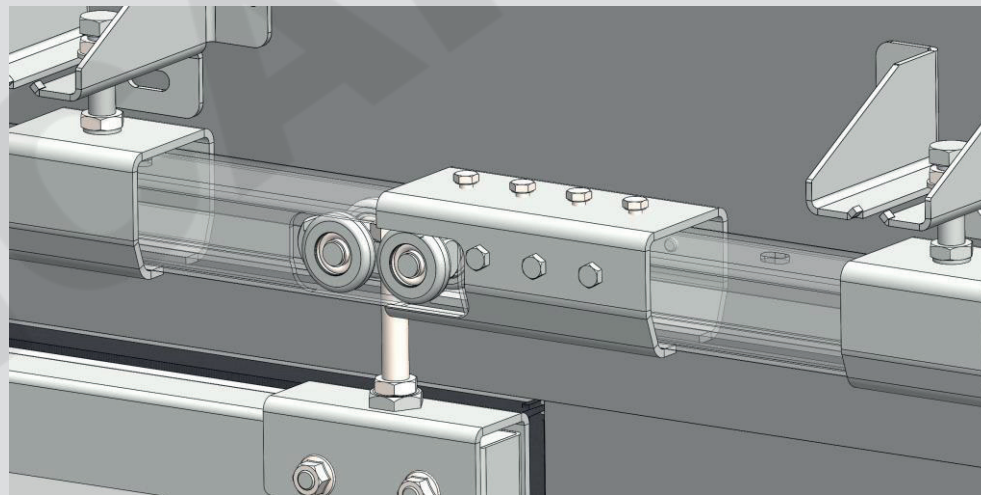
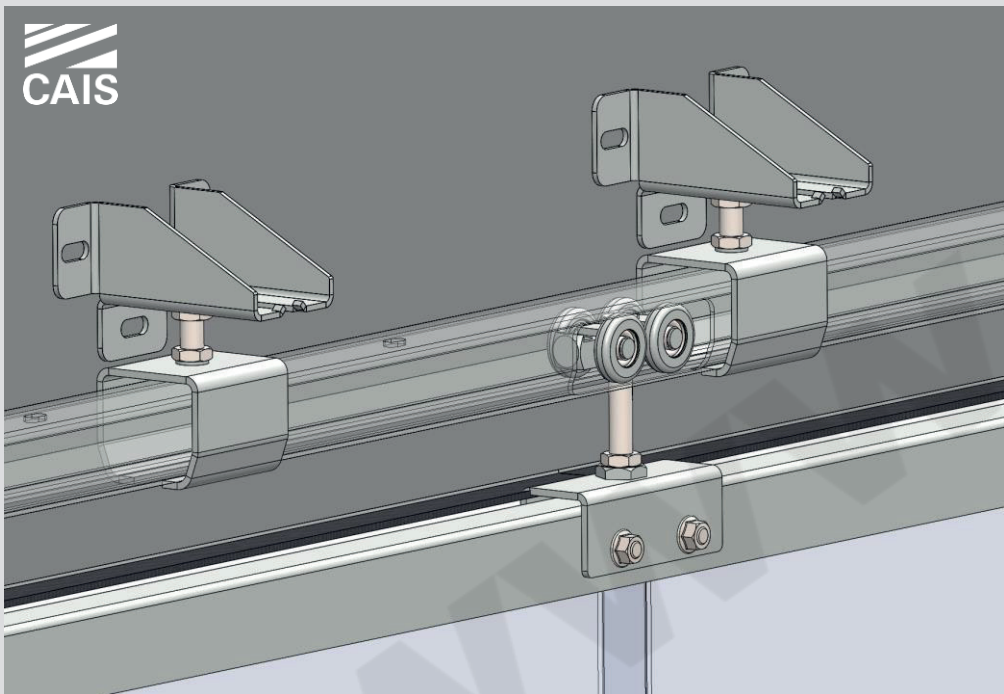
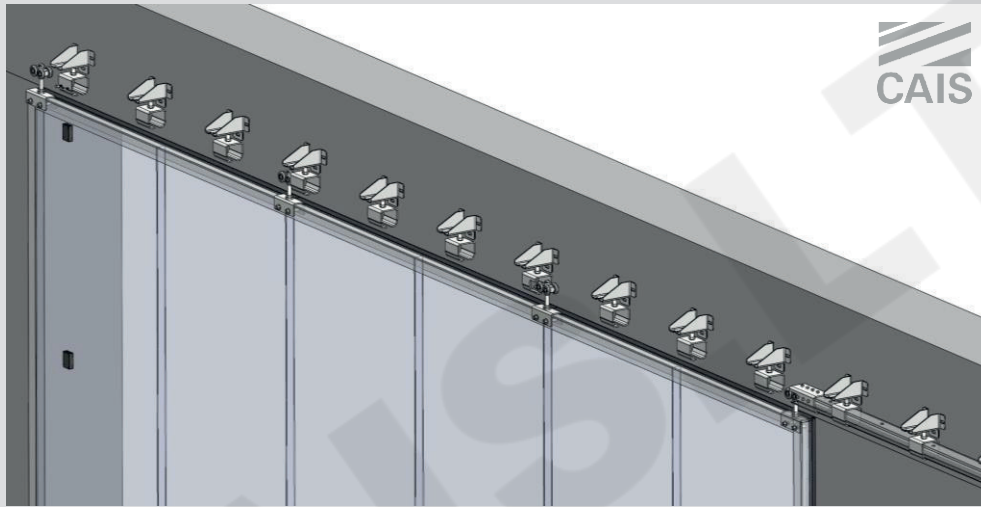
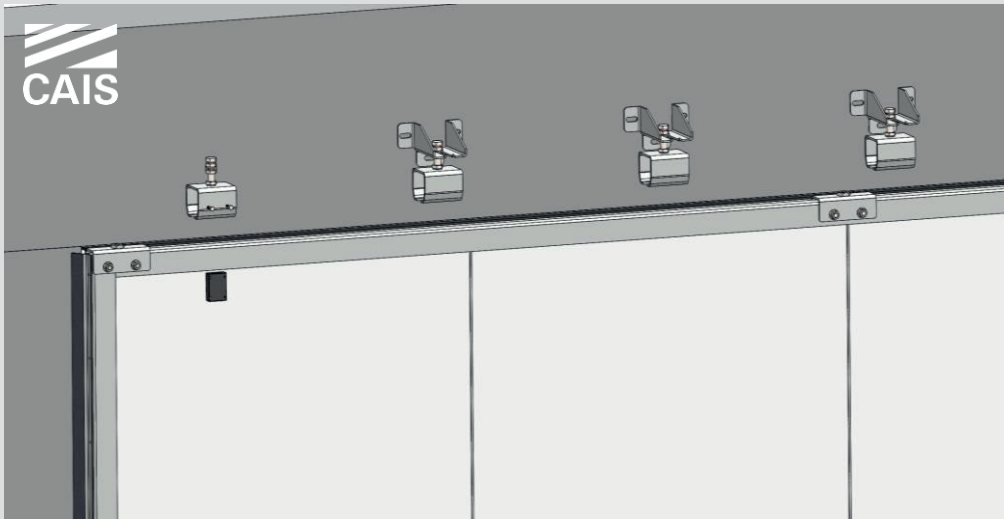
COMPONENTS & DIMENSIONS - HANGAR 6.6								6 m / 960 kg
CARRIAGE	GUIDE	SUPPORT	NUMBER SUPPORT	NUMBER GARIAGE	NUMBER SUPRORT	LENGHT WING	DISTANCE BETWEEN SUPPORT	MAX. CAPACITY WING TO 6000 mm
			DC 70/KHL	SPEED C	AD 150	L	A	
SPEED C	STAGE SZ	DC 70/KHL	14	4	4	6000	500	1200
SPEED C	STAGE SZ	DC 70/KHL	11	4	4	6000	650	960

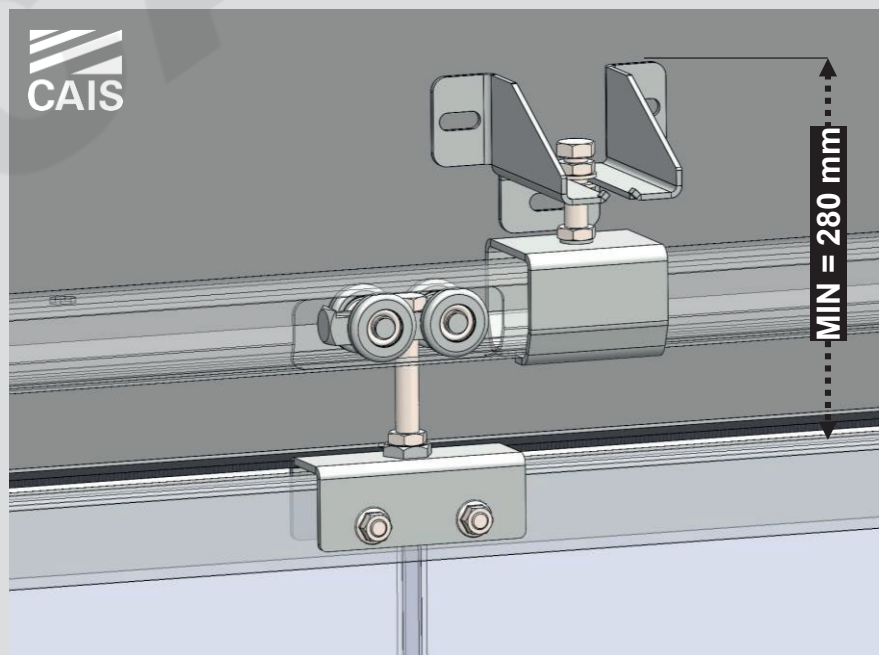
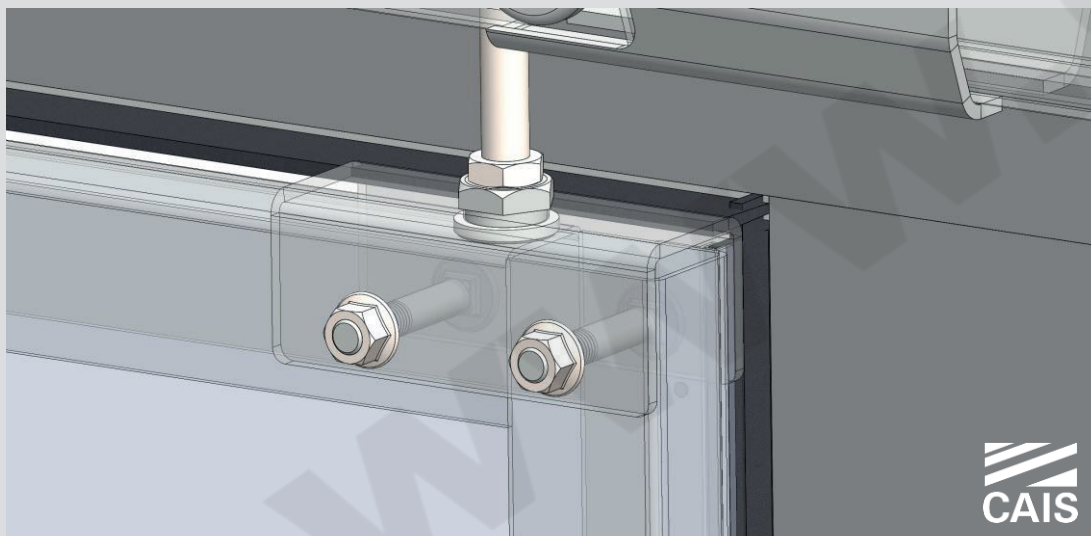
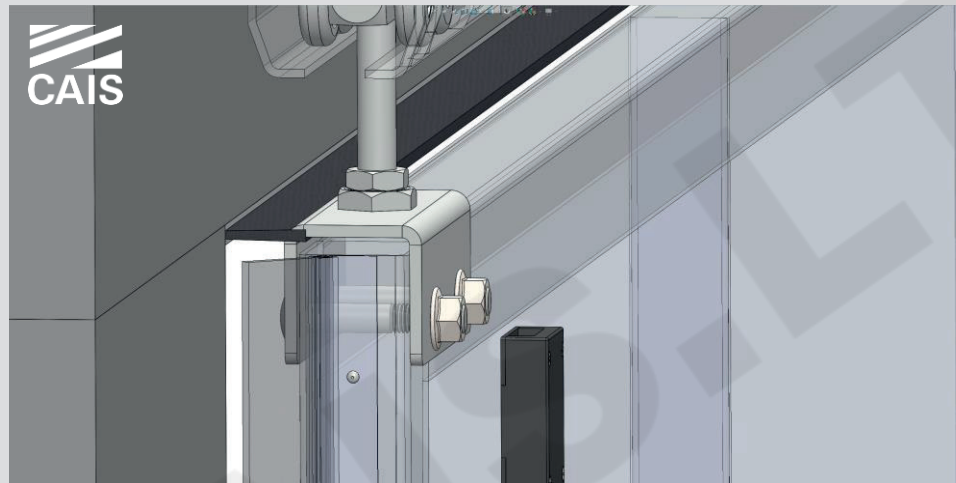
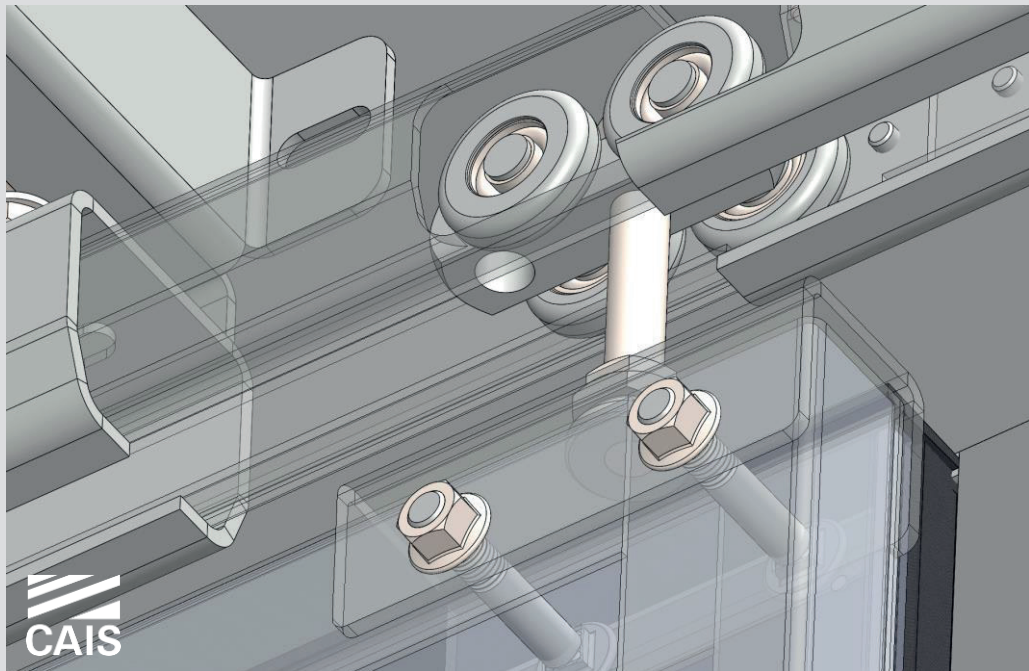
COMPONENTS & DIMENSIONS - HANGAR 4.4								4 m / 640 kg
CARRIAGE	GUIDE	SUPPORT	NUMBER SUPPORT	NUMBER GARIAGE	NUMBER SUPRORT	LENGHT WING	DISTANCE BETWEEN SUPPORT	MAX. CAPACITY WING TO 4000 mm
			DC 70/KHL	SPEED C	AD 150	L	A	
SPEED C	STAGE SZ	DC 70/KHL	10	3	3	4000	500	800
SPEED C	STAGE SZ	DC 70/KHL	8	3	3	4000	650	640

COMPONENTS & DIMENSIONS - HANGAR 2.2								2 m / 320 kg
CARRIAGE	GUIDE	SUPPORT	NUMBER SUPPORT	NUMBER GARIAGE	NUMBER SUPRORT	LENGHT WING	DISTANCE BETWEEN SUPPORT	MAX. CAPACITY WING TO 2000 mm
			DC 70/KHL	SPEED C	AD 150	L	A	
SPEED C	STAGE SZ	DC 70/KHL	5	2	2	2000	500	400
SPEED C	STAGE SZ	DC 70/KHL	4	2	2	2000	650	320

-  GERMAN STEEL WUPPERMANN
-  HOT DIPPED GALVANIZED
-  SLIM LEAF 46 mm
-  EASY ASSEMBLING
-  NO LIMIT
-  +50°C TESTED & PROVEN
-  -37°C TESTED & PROVEN
-  SUITABLE FOR INTERNAL AND EXTERNAL INSTALLATION
-  NO WELDING NEEDED
-  FOR INDUSTRIAL USE ONLY
-  FAST NO WELDING
-  HIGH QUALITY GUARANTEED
-  CAIS INNOVATION

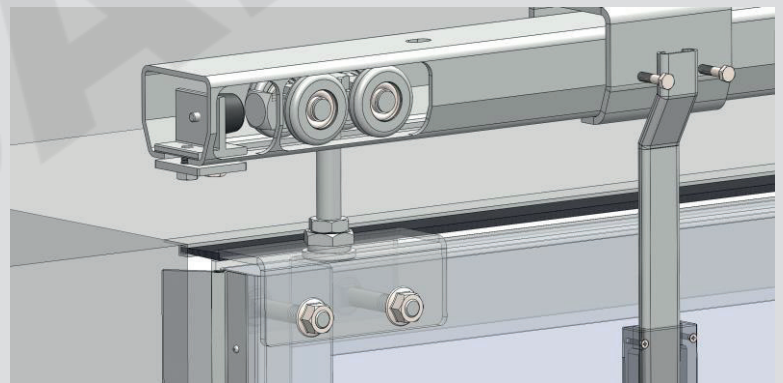
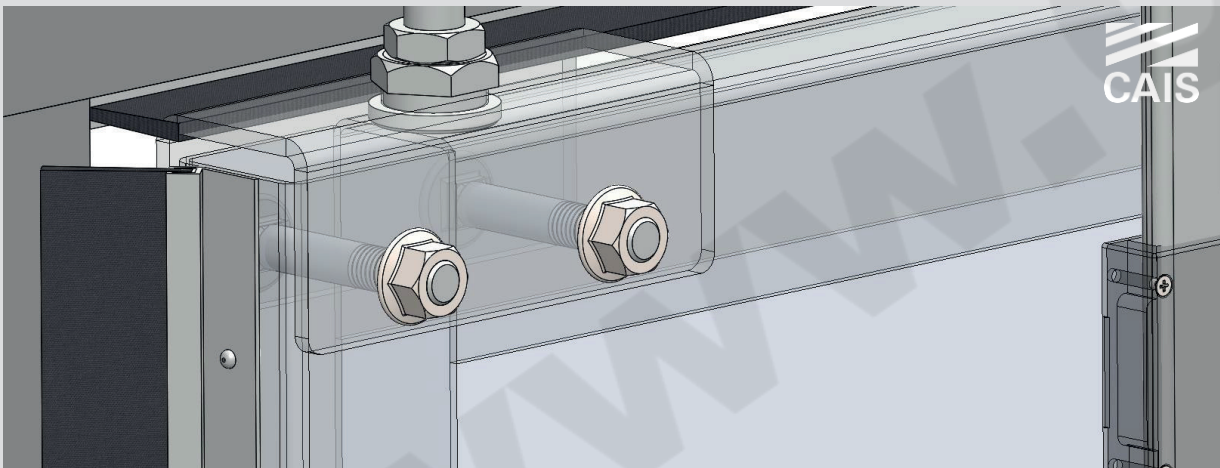
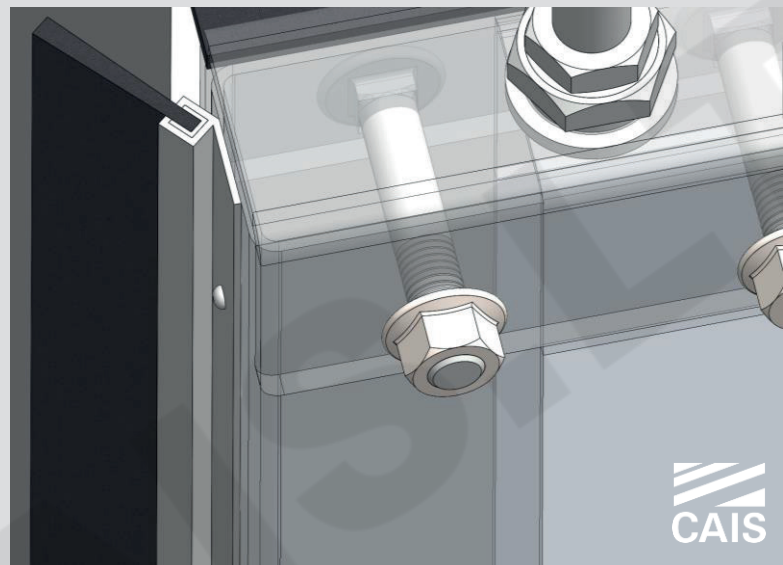
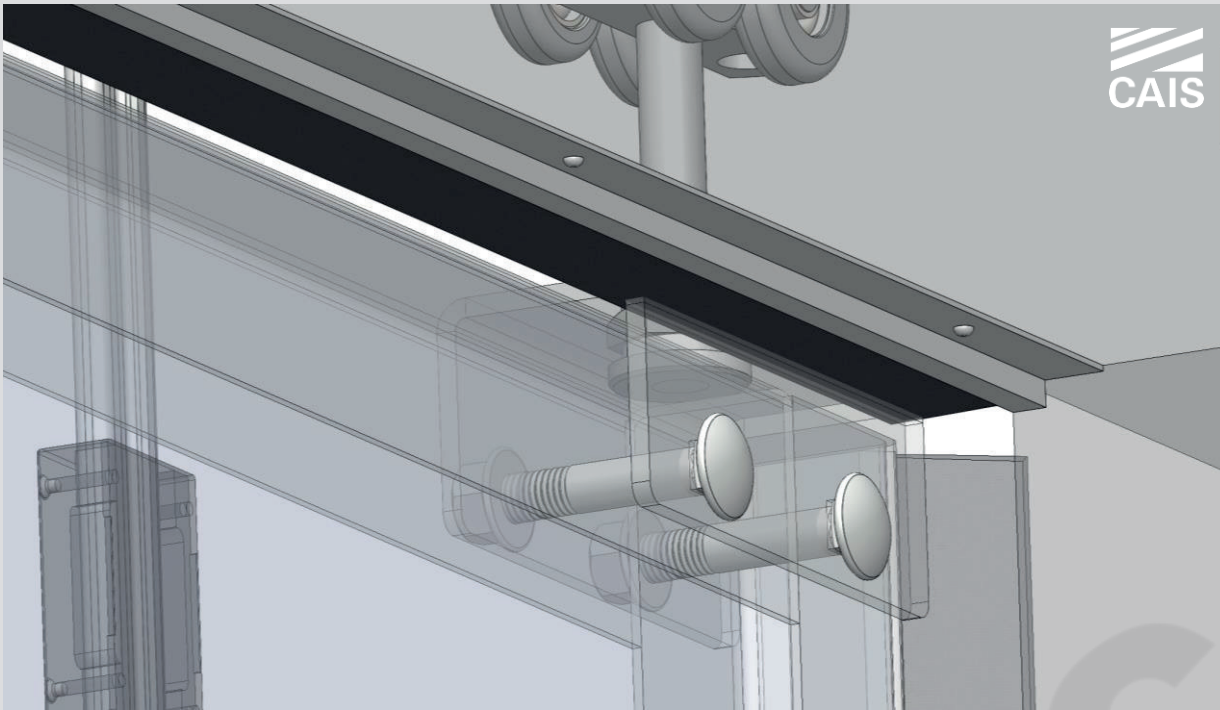






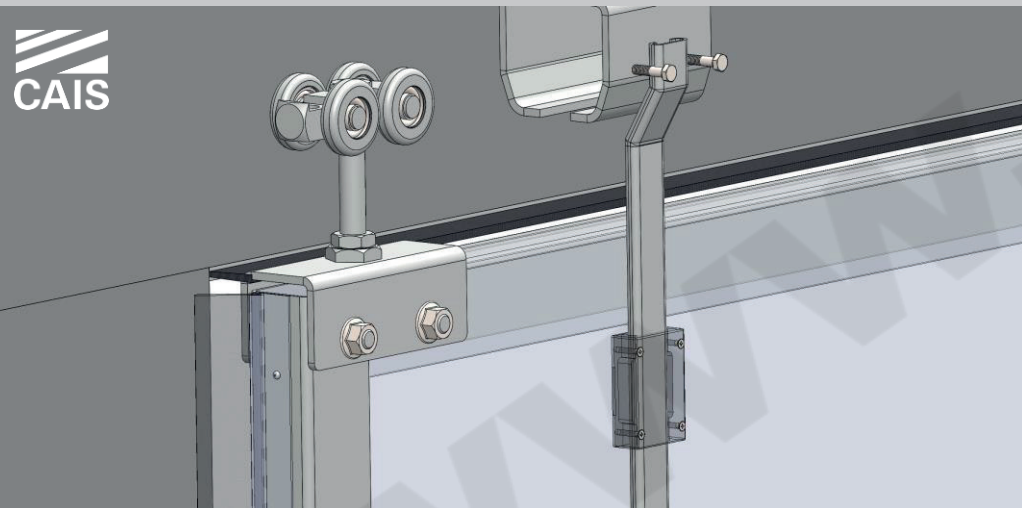
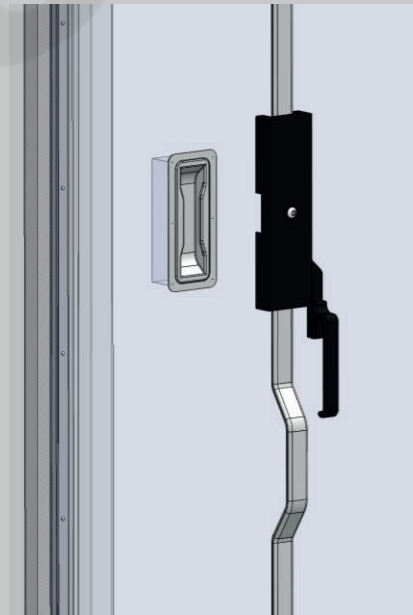
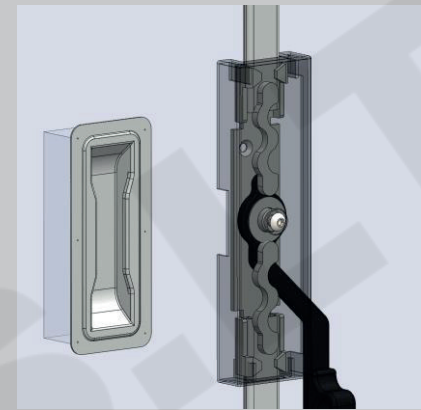
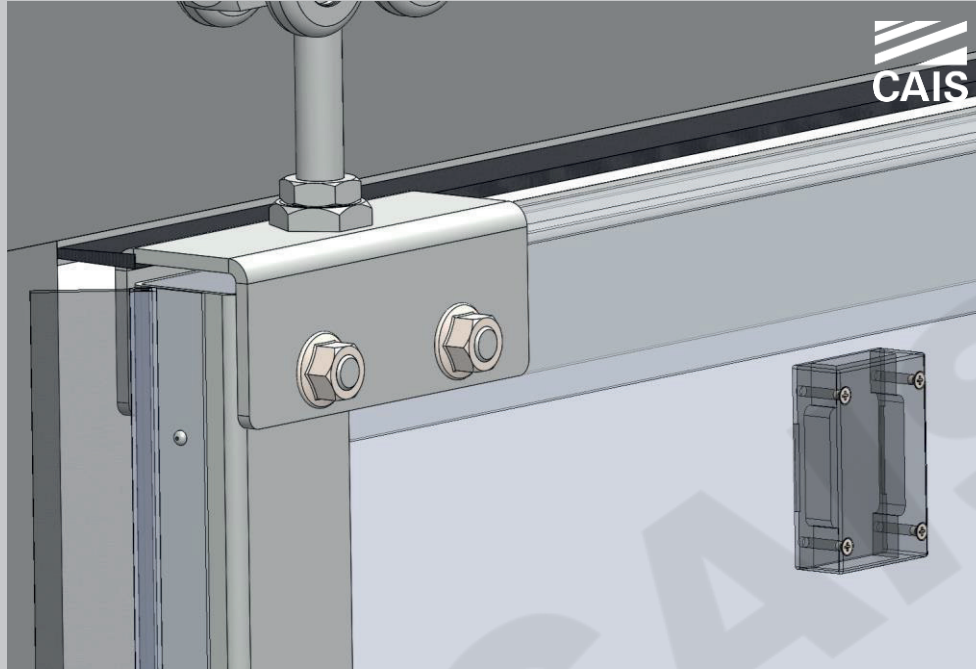
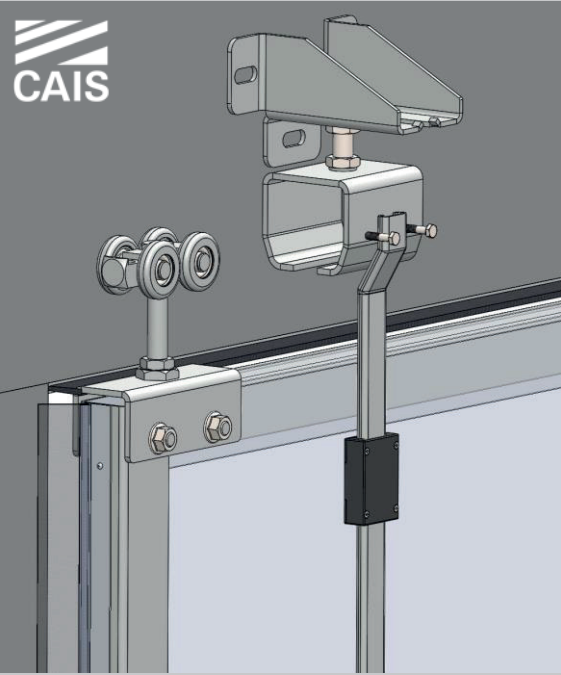
USER MANUAL - 03

HANGGAR



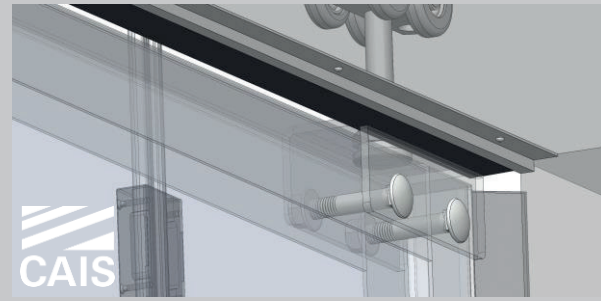
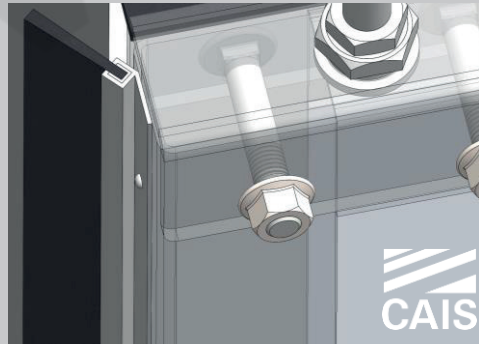
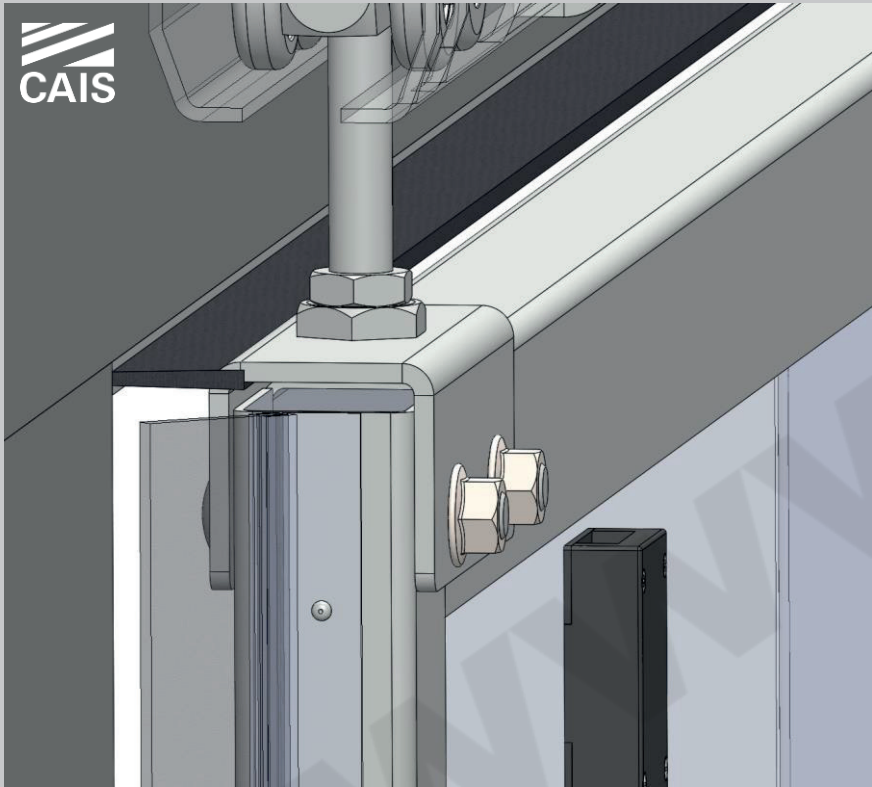
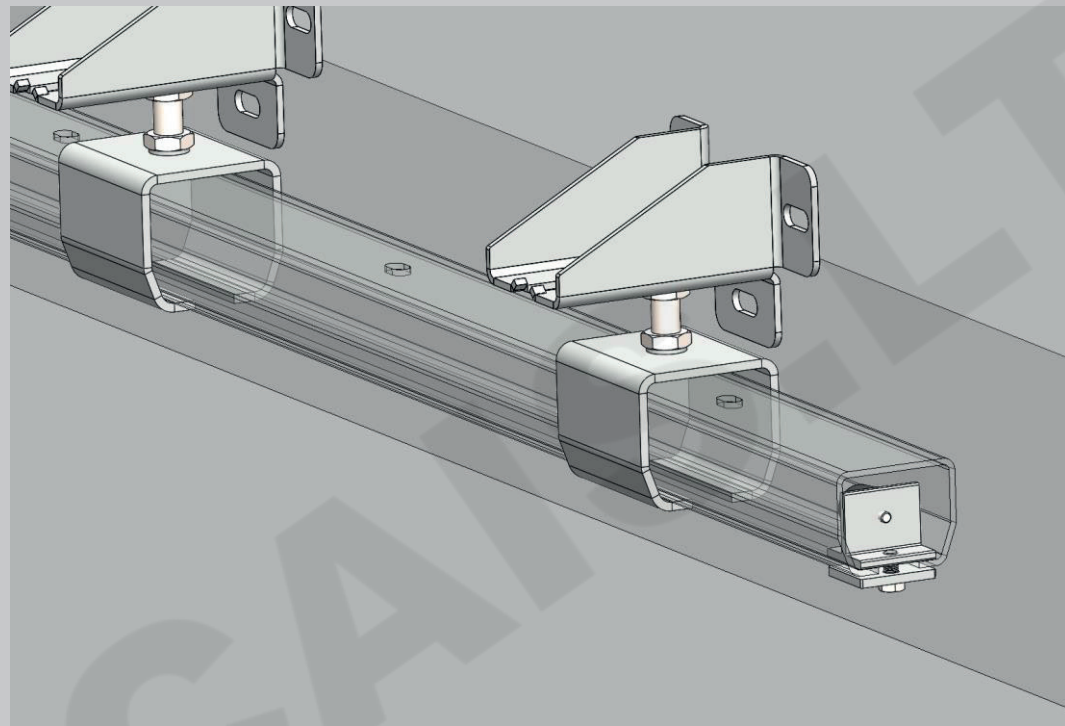
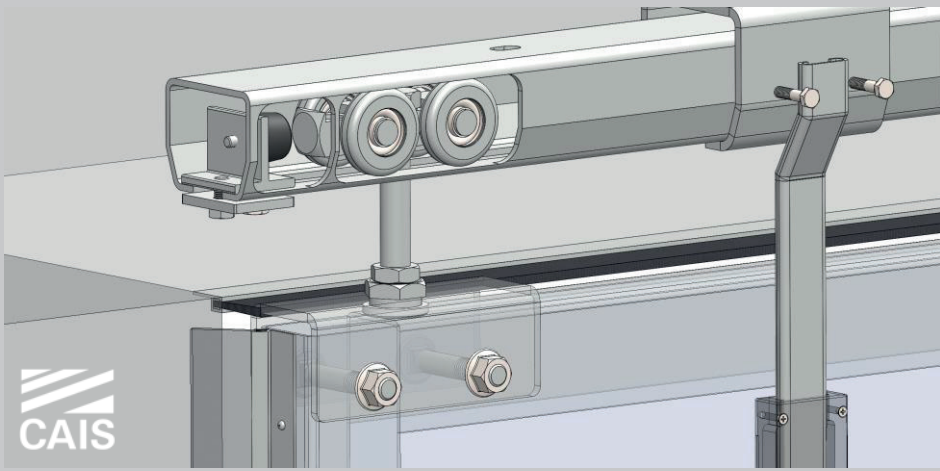
USER MANUAL - 04

HANGGAR



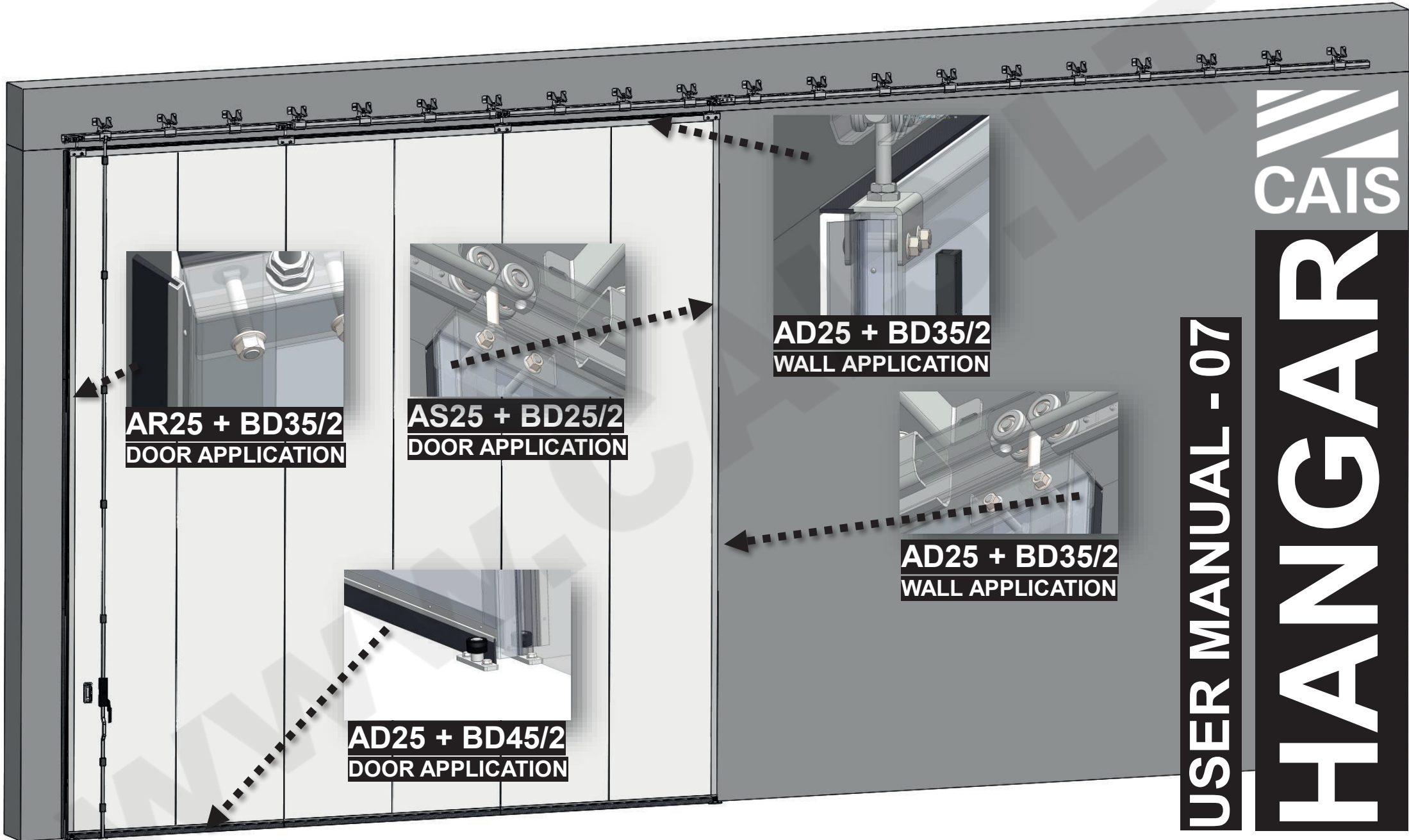
USER MANUAL - 05

HANGGAR



USER MANUAL - 06

HANGGAR



CAIS

USER MANUAL - 07

HANGGAR