

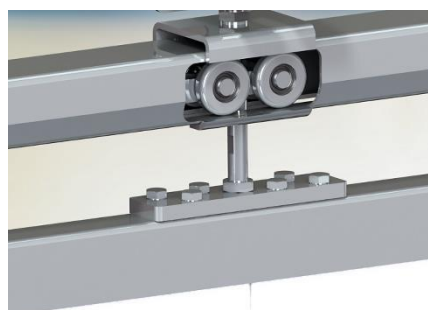
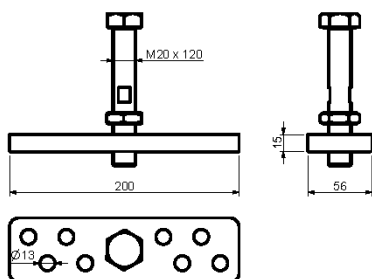
## Technical report


Art.

**GD 200**



<b>Art.</b>	GD 200
<b>Product</b>	UPPER ADJUSTABLE BRACKET SUPPORT FOR SLIDING DOORS
<b>Item code</b>	1700370
<b>Material</b>	Body - S 235 JR, Bolt M 20 x 120 - DIN 933, Nut M 20 - DIN 439B
<b>Surface finish</b>	ČSN EN ISO 19598 - Fe//Zn12//Cn//T2nL
<b>Guarantee</b>	24 months



Art.	1pc			CODE
	kg	pcs	kg	
<b>GD 200</b>	1,47	4	5,88	1700370