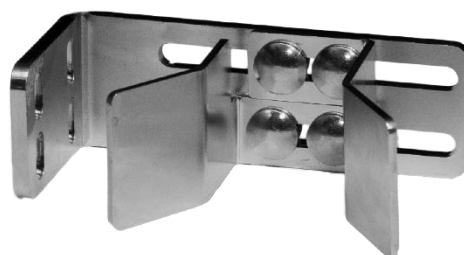


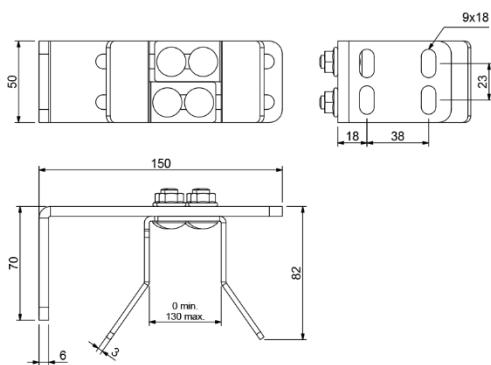
Technical report


Art.



DOCKER O

Art.	DOCKER O
Product	ADJUSTABLE END STOP BRACKET
Item code	1700367
Material	Body - S 235 JR, Bolt M 8x20 - DIN 603, Nut M 8 - DIN 6923
Surface finish	ČSN EN ISO 19598 - Fe//Zn12//Cn//T2nL
Guarantee	24 months



Art.	1pc		CODE
	kg	pcs	kg
DOCKER O	0,67	4	2,68
			1700367