

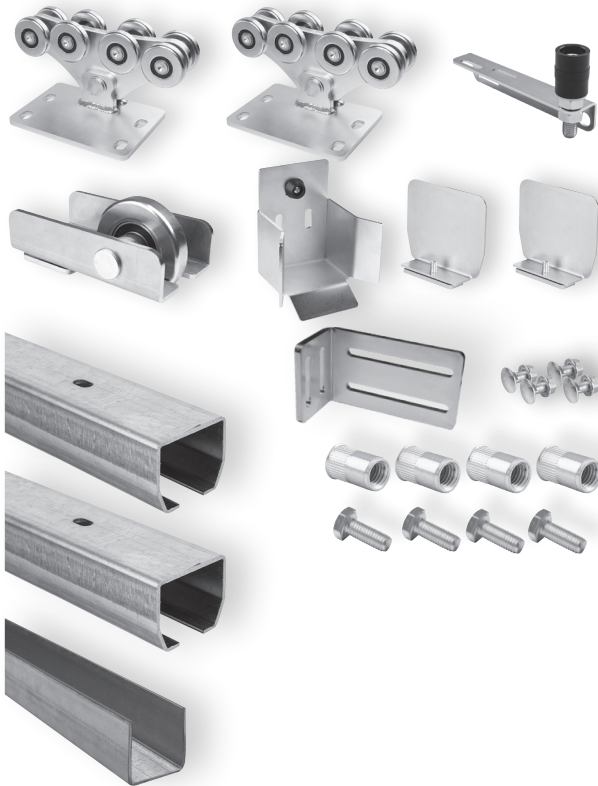
NEW 

CROSSTRACK M 6.0+8.0

CANTILEVER HARDWARE

CROSSTRACK "M" 6.0

SET



- SPEED MEK 2 pcs
- STAGE MZ 2,85 3 pcs
- DRIVER 48/2,8 3 pcs
- RUN M 1 pc
- LAST M 1 pc
- PILOT MN 2 pcs
- JRM 40 1 pc
- PARK CSM 1 pc
- BOLT M10x25 24 pcs
- RIVET NUT 24 pcs

ART. SET / kg

E-BOX "M" 6.0153 kg

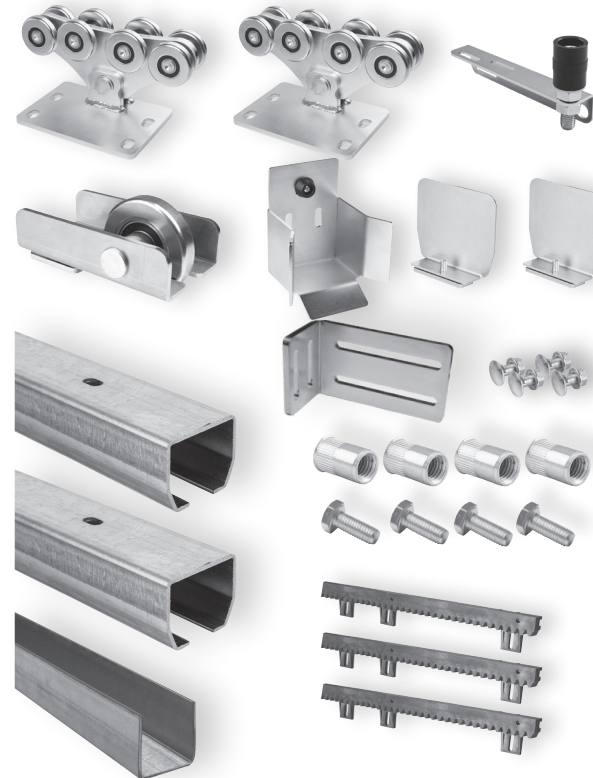
GATES UP TO

LENGHT 6 m

CODE: 1710080

CROSSTRACK "M" 8.0

SET



- SPEED MEK 2 pcs
- STAGE MZ 2,85 4 pcs
- DRIVER 48/2,8 4 pcs
- RUN M 1 pc
- LAST M 1 pc
- PILOT MN 2 pcs
- JRM 40 1 pc
- PARK CSM 1 pc
- BOLT M10x25 32 pcs
- RIVET NUT 32 pcs

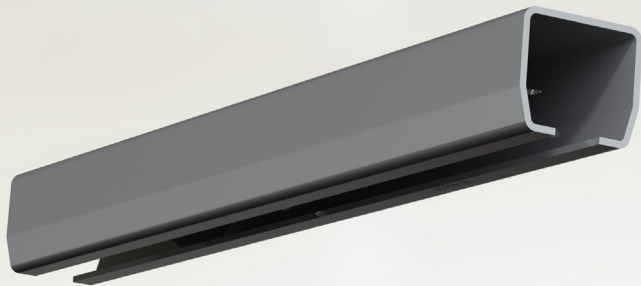
ART. SET / kg

E-BOX "M" 8.0193 kg

GATES UP TO

LENGHT 8 m

CODE: 1710081



W Wuppermann
GERMAN STEEL

GALVANIZED
INTERNAL
EDGES



270
g/m²

HOT
DIPPED
GALVANIZED

SPECIAL
THICKNESS

5,00
mm



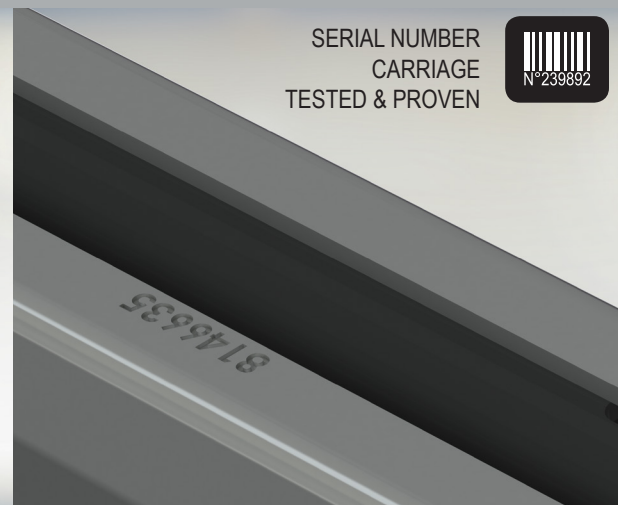
15 BOLTS
15 RIVET NUTS
INCLUDED (*)



SLOTTED HOLE
PUNCHED EVERY
400mm IN TRACK



SERIAL NUMBER
CARRIAGE
TESTED & PROVEN



- 37°C
TESTED
& PROVEN



+ 50°C
TESTED
& PROVEN



24
months

24 MONTHS
TESTED
& PROVEN



MADE IN
CZECH
REPUBLIC



AVAILABLE
CUSTOMISED LENGTHS
UNDER SPECIAL TERMS



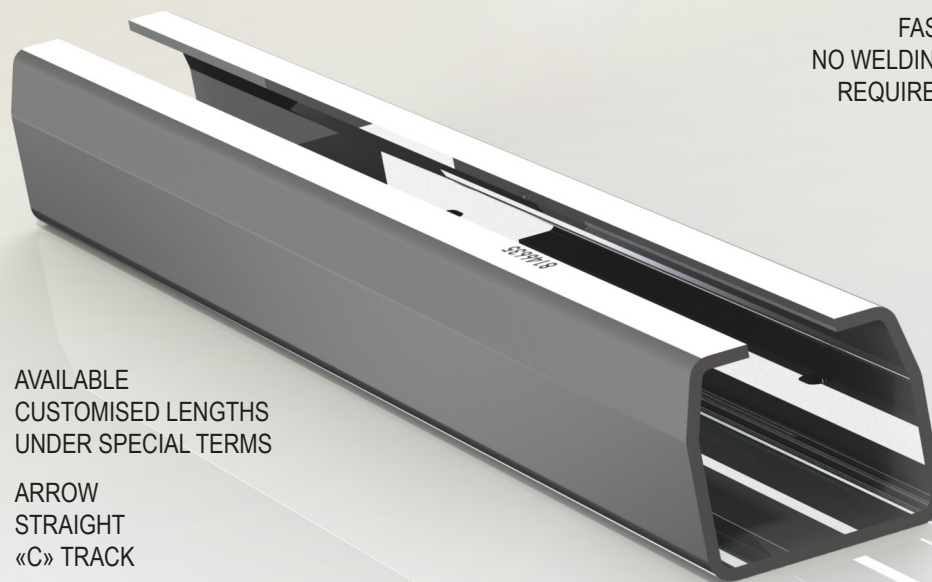
ARROW
STRAIGHT
«C» TRACK



EIGHTEEN ROLL FORMERS
THE LARGEST NUMBER IN THE INDUSTRY
REMOVE THE INSET «MEMORY» OF THE STEEL



SLOW ROLLING
NO HEAT GENERATED DURING PRODUCTION
KEEPING THE MATERIAL WHERE IT IS ROLLED



EASY
ASSEMBLY



FAST
NO WELDING
REQUIRED



BRNO
UNIVERSITY
OF TECHNOLOGY

(*) ONLY SETS

CANTILEVER MEK									
	mm; kg	mm; kg	mm; kg	mm; kg	mm; kg	mm; kg	mm; kg	mm; kg	mm; kg
A	4000	4500	5000	5500	6000	6500	7000	7500	8000
max. weight gate	500 kg	525 kg	550 kg	575 kg	600 kg	625 kg	650 kg	675 kg	700 kg
B	1200	1350	1500	1650	1800	1950	2100	2250	2400
C	1860	2010	2160	2310	2460	2610	2760	2910	3060
D	330	330	330	330	330	330	330	330	330



SUITABLE FOR INCLINED SURFACE INSTALLATION



EASY ASSEMBLING



FAST NO WELDING



15 BOLTS
15 RIVET NUTS INCLUDED (*)



«C» TRACK SERIAL NO. 100% COMPATIBILITY CARRIAGE TESTED



GERMAN STEEL WUPPERMANN



270 g/m² HOT DIPPED GALVANIZED



ARROW STRAIGHT «C» TRACK



BUILD IN FLYING HOLE PUNCH - EVERY 400 mm



GALVANIZED INTERNAL EDGES



ASYMMETRIC EIGHT WHEELED CARRIAGE



C 2 HQ BEARINGS



CARRIAGES CENTER HOLES MILLED NOT LASERED



MULTI RIVITED SECTIONS



JAPANESE ROBOTICS FANUC



UNIVERSITY OF TECHNOLOGY - BRNO



- 37°C TESTED & PROVEN



+ 50°C TESTED & PROVEN



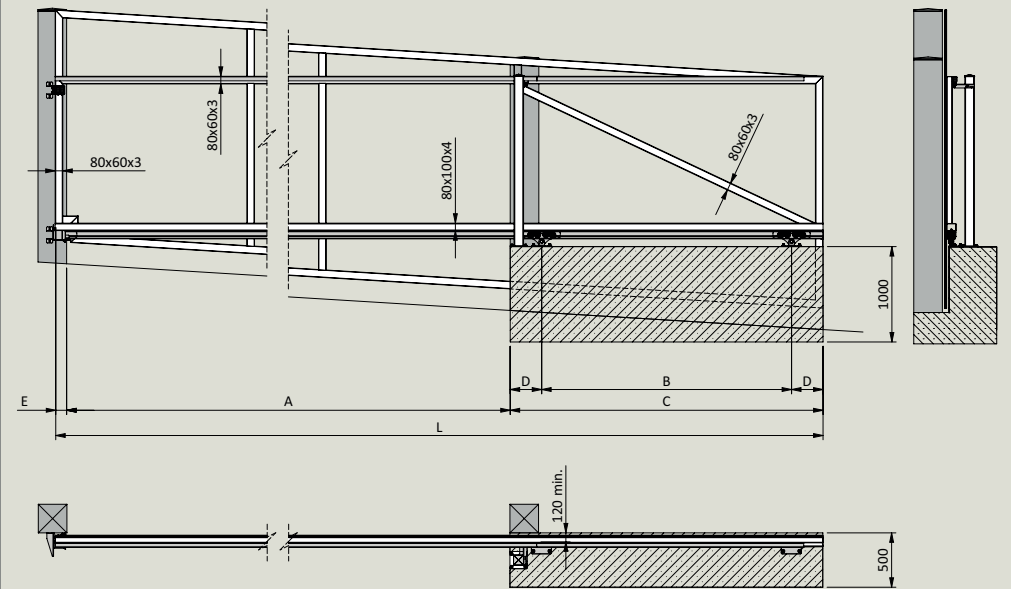
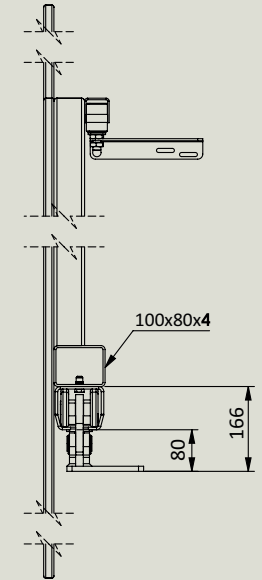
MADE IN CZECH REPUBLIC



NO WELDING NEEDED

$$B = 0,3 \times A$$

$$L = A + B + (2 \times D) + E$$

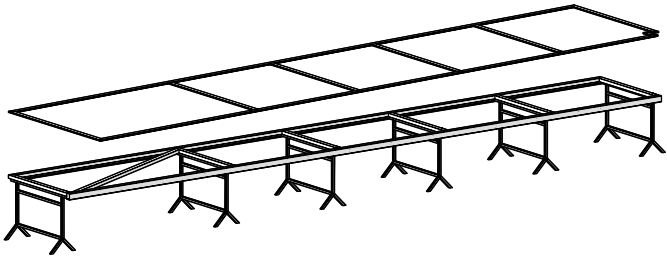


(*) ONLY SETS

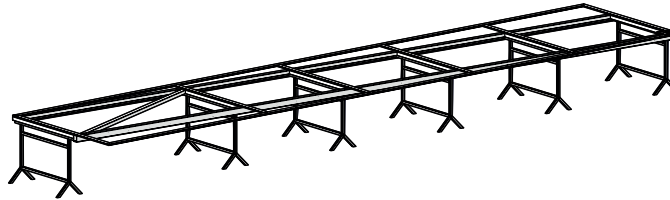
DRIVER 48

WELDING

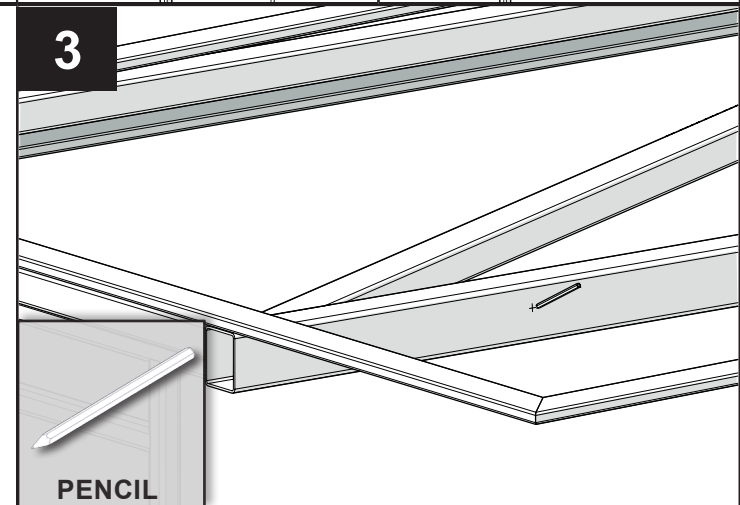
1



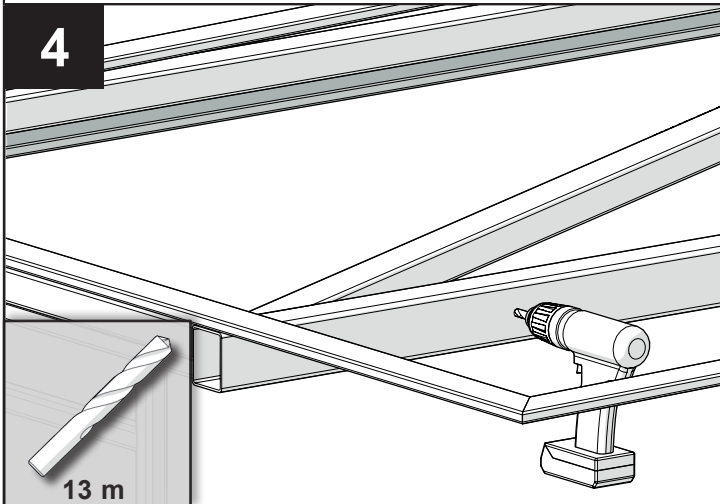
2



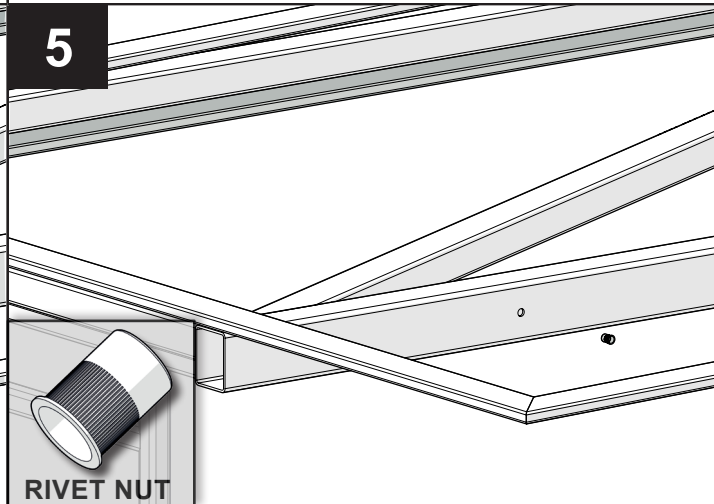
3



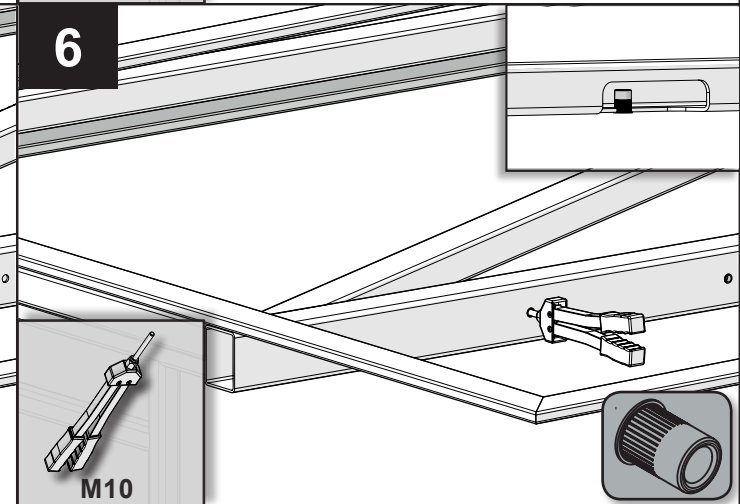
4

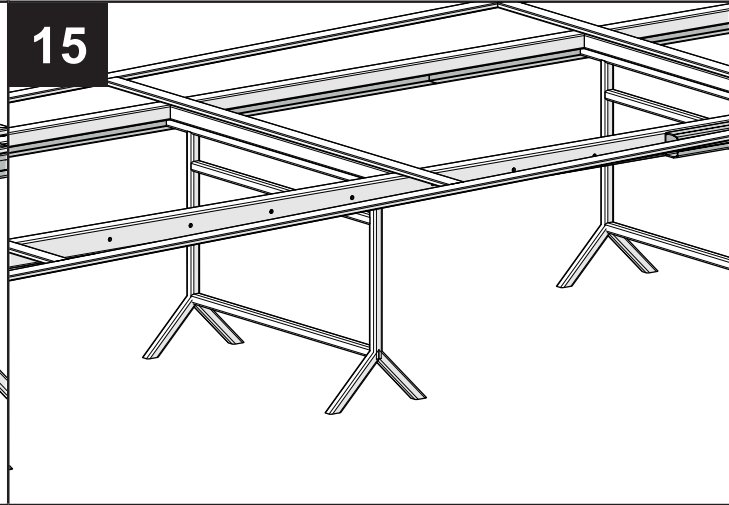
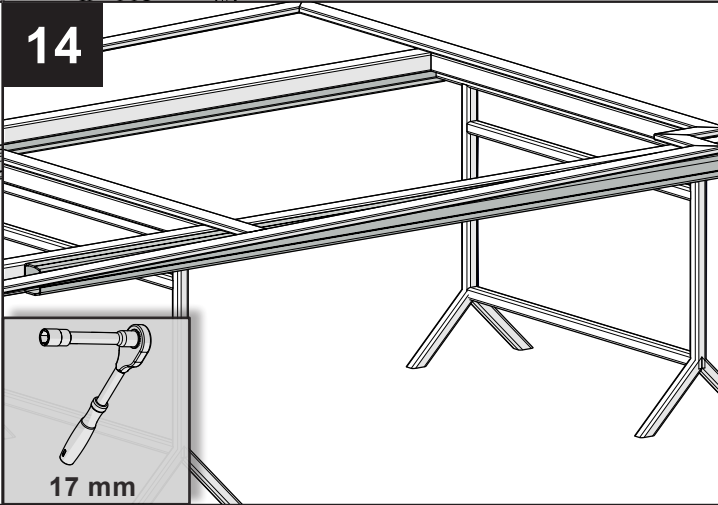
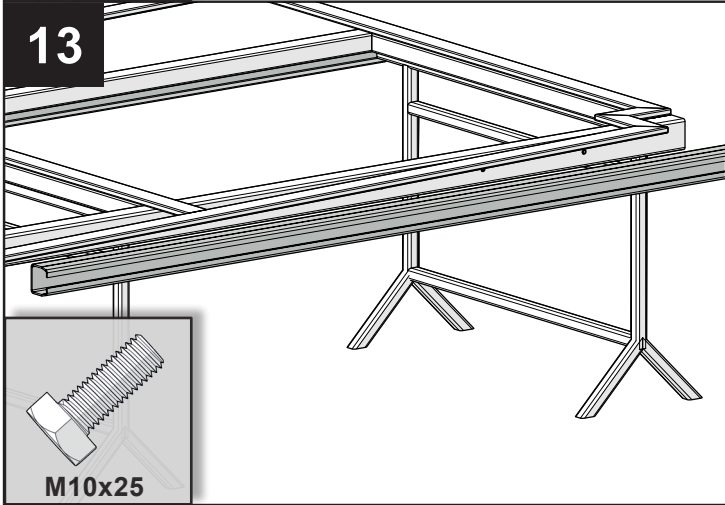
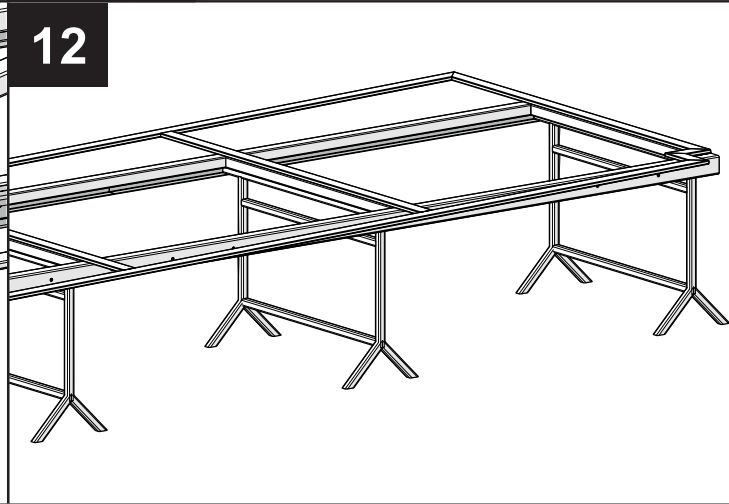
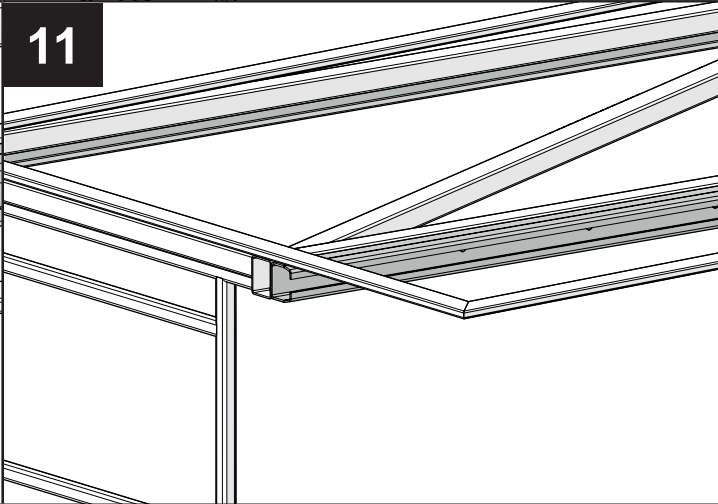
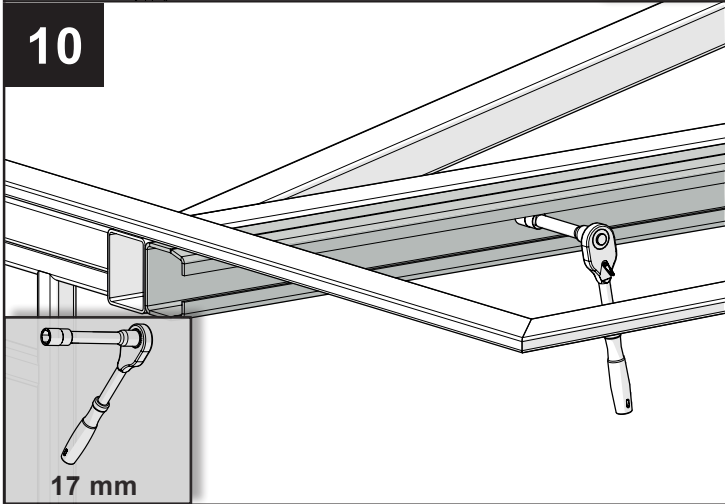
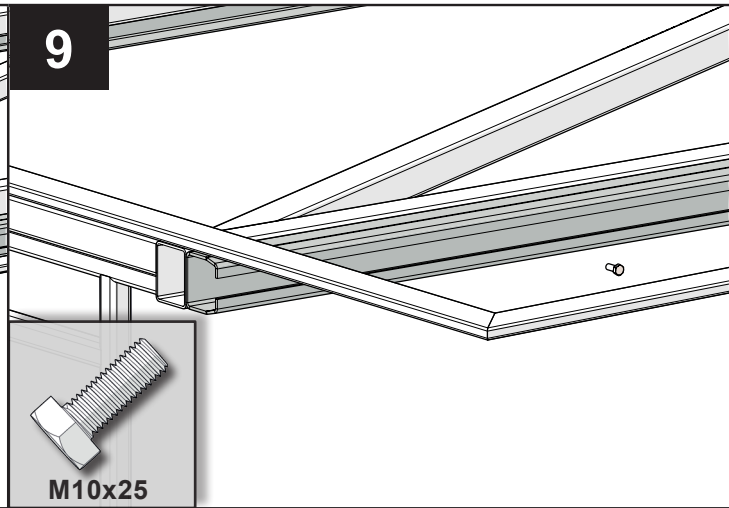
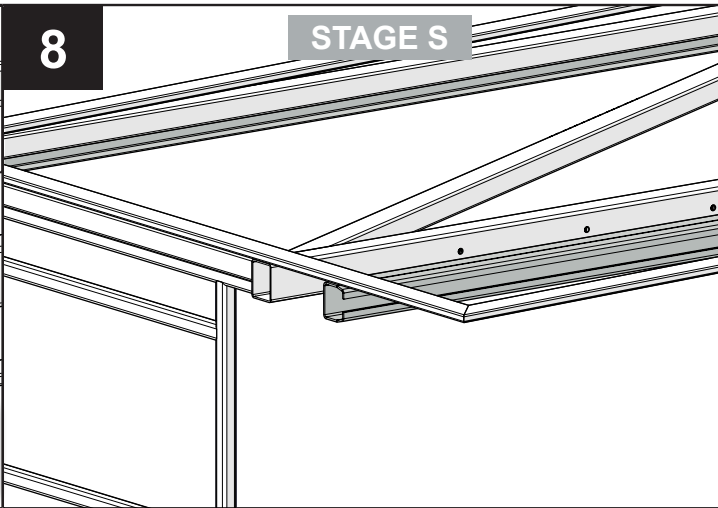
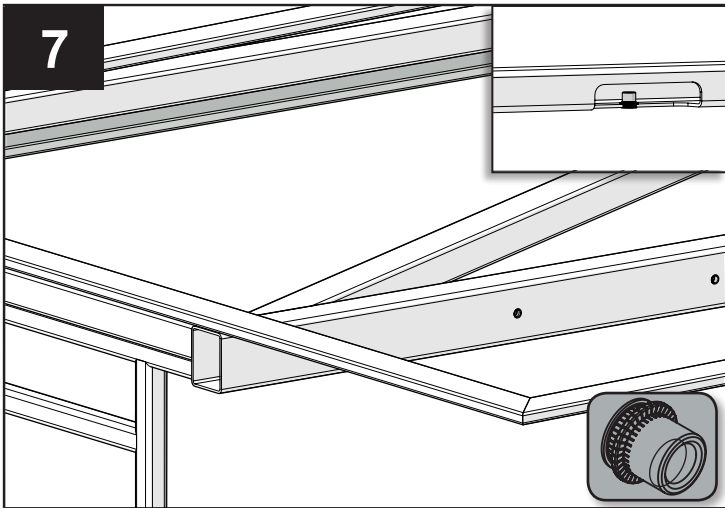


5

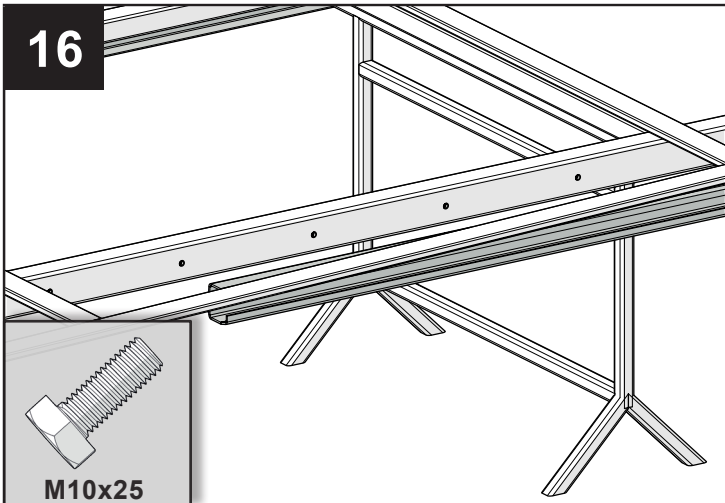


6

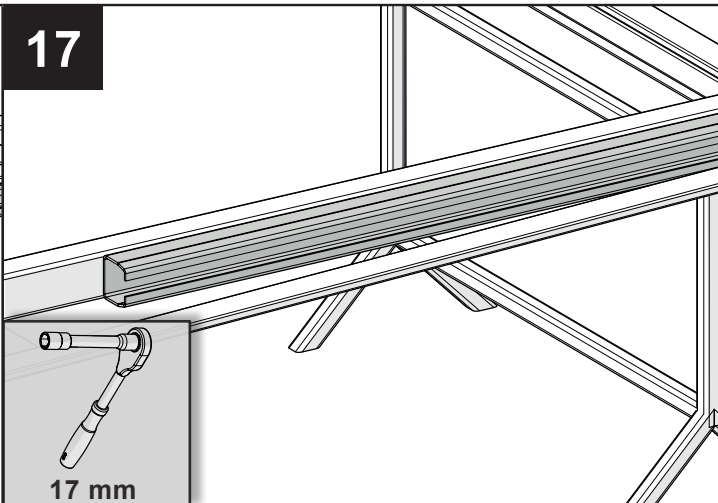




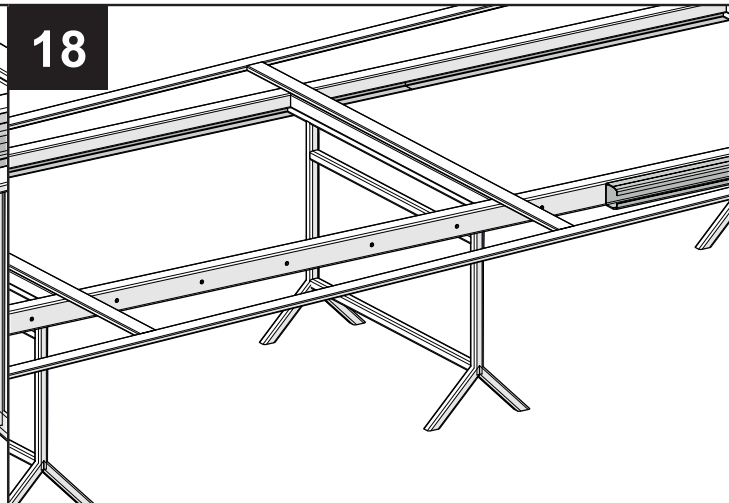
16



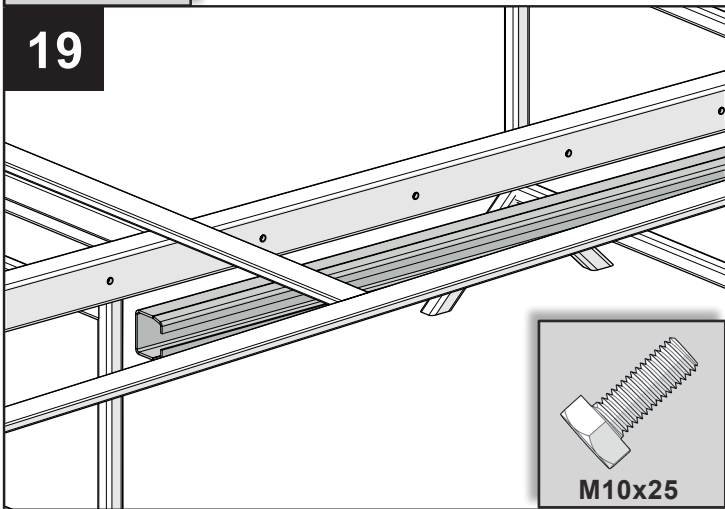
17



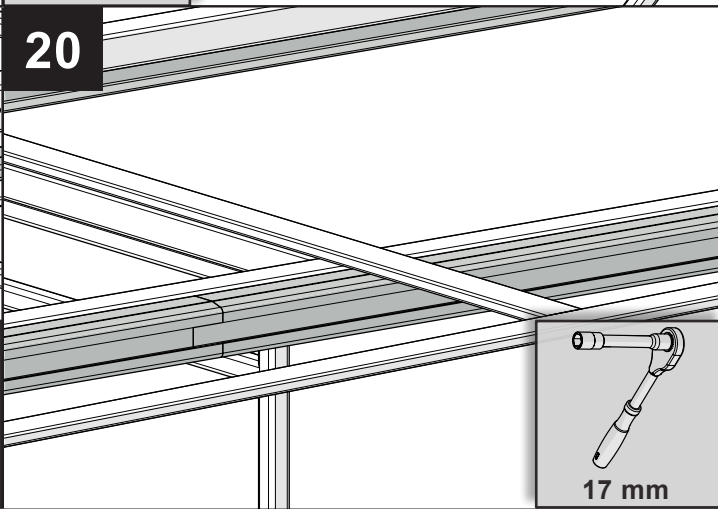
18



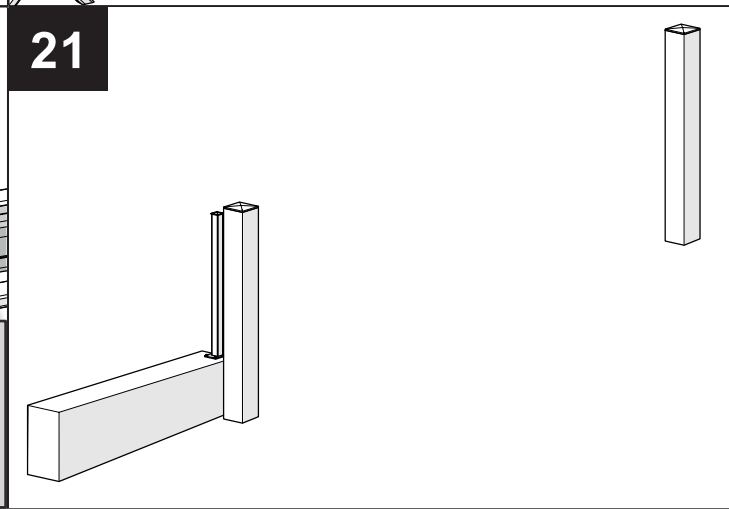
19



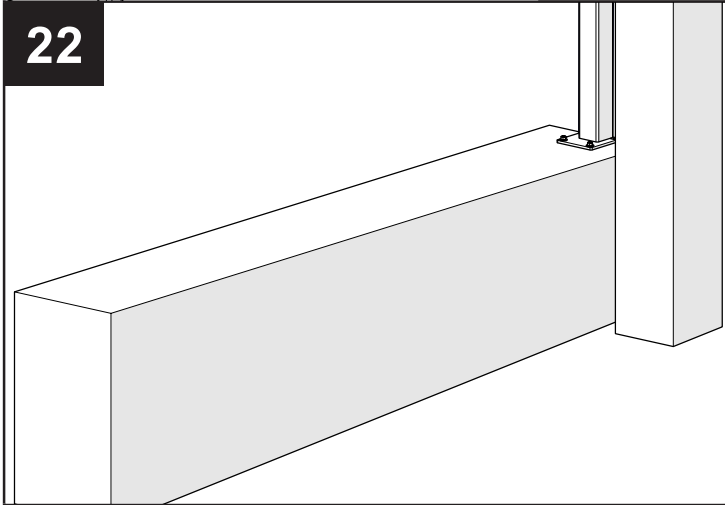
20



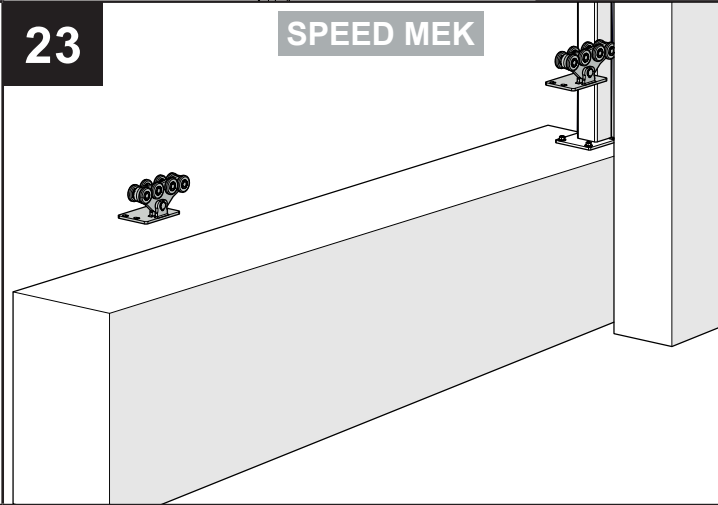
21



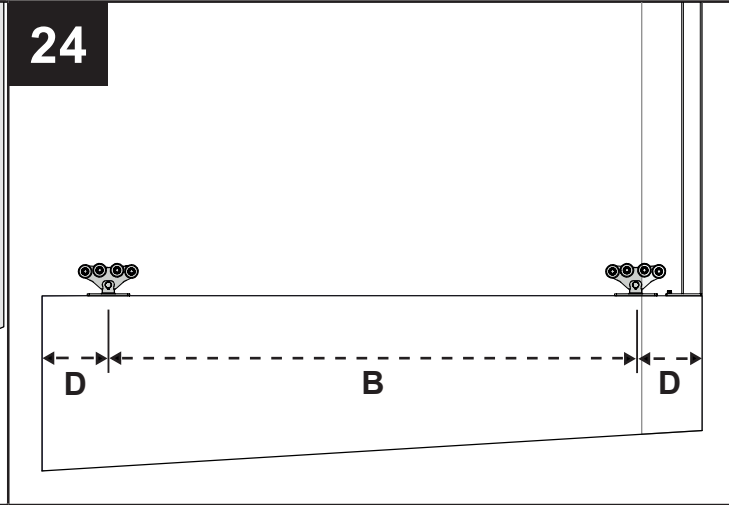
22



23



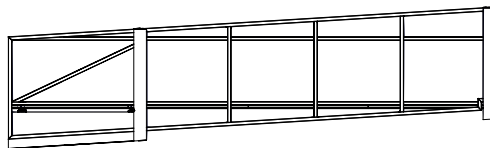
24



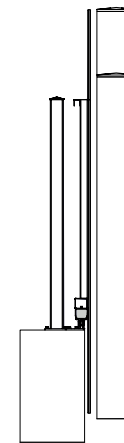
25



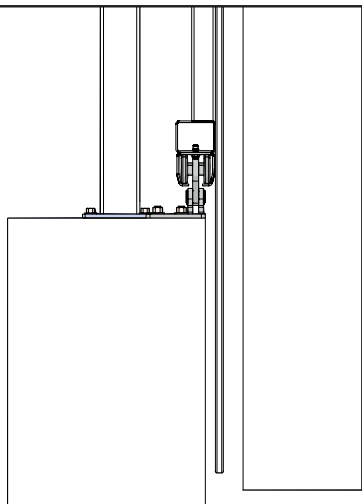
26



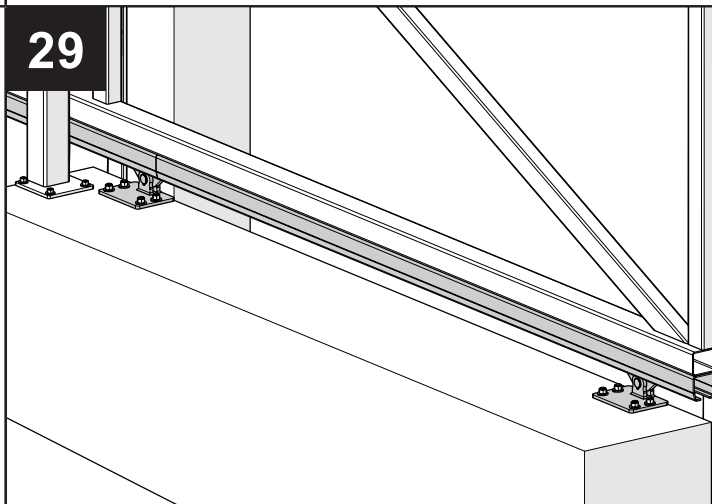
27



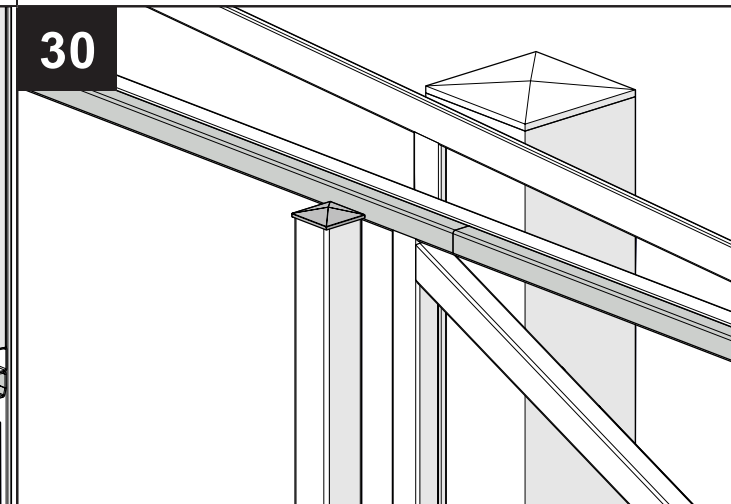
28



29

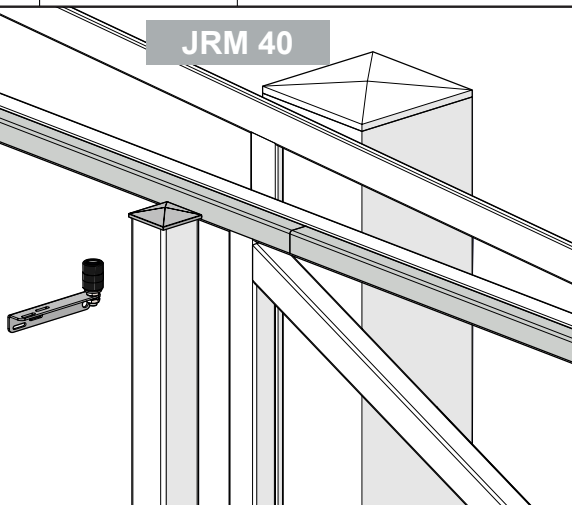


30

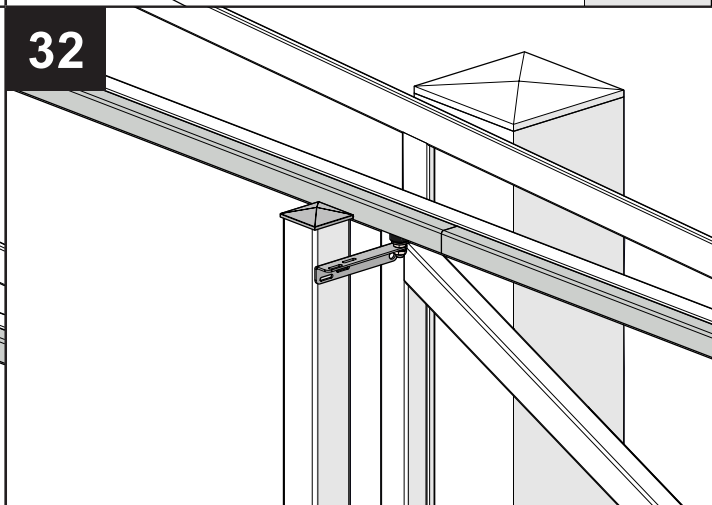


31

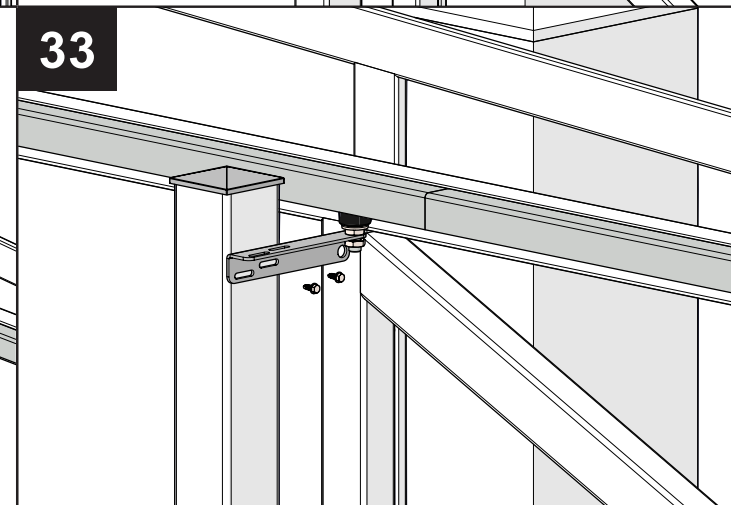
JRM 40



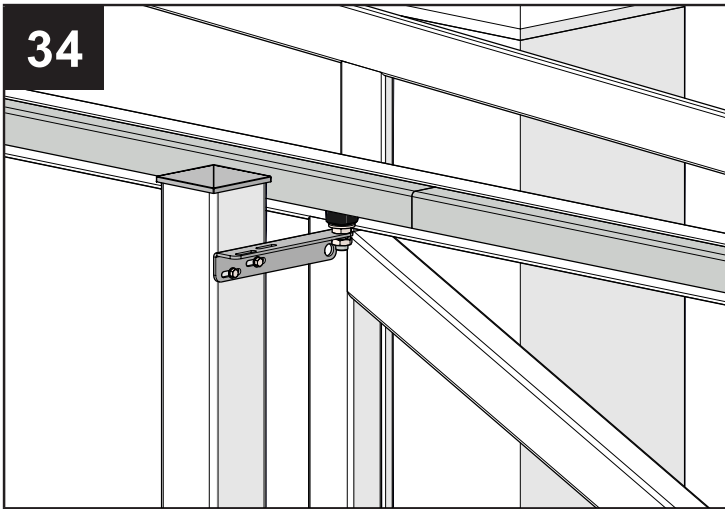
32



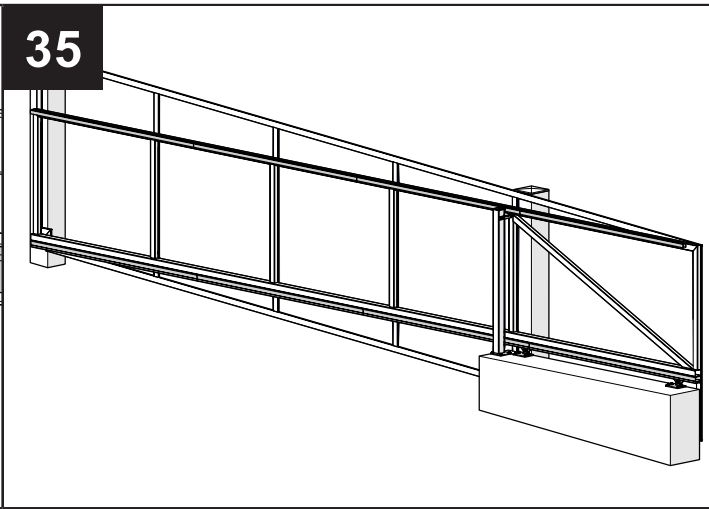
33



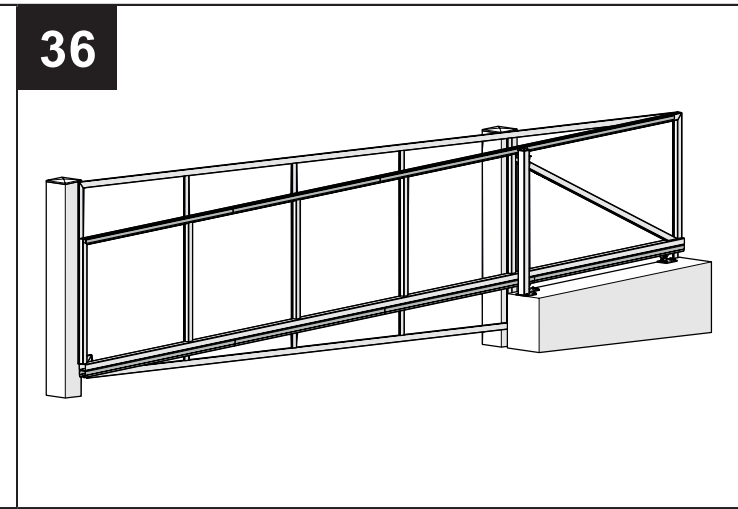
34



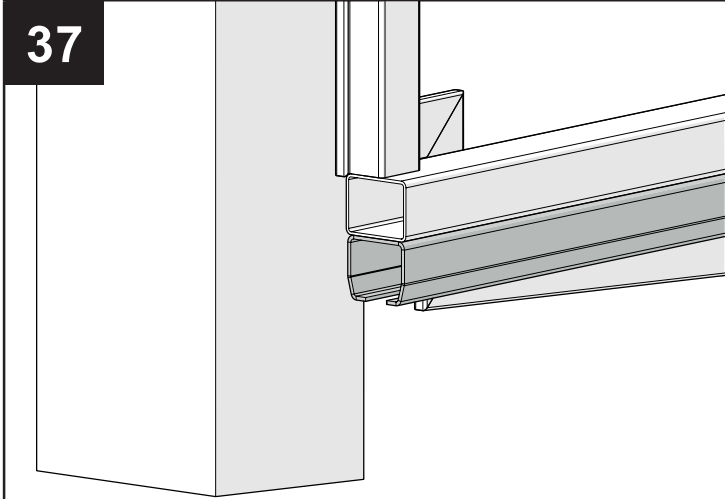
35



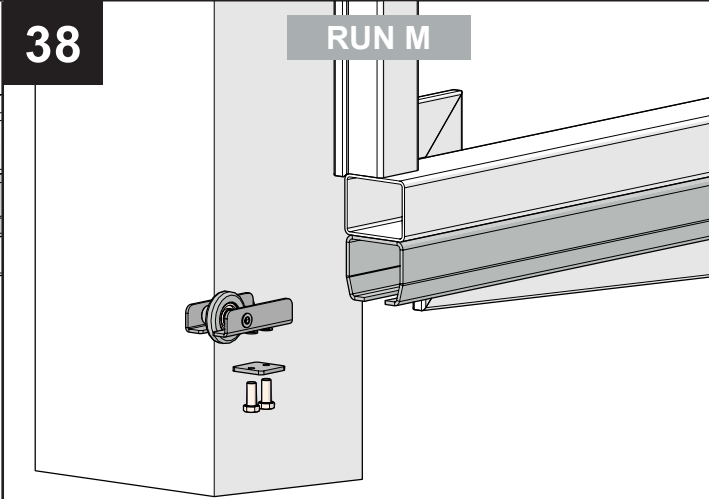
36



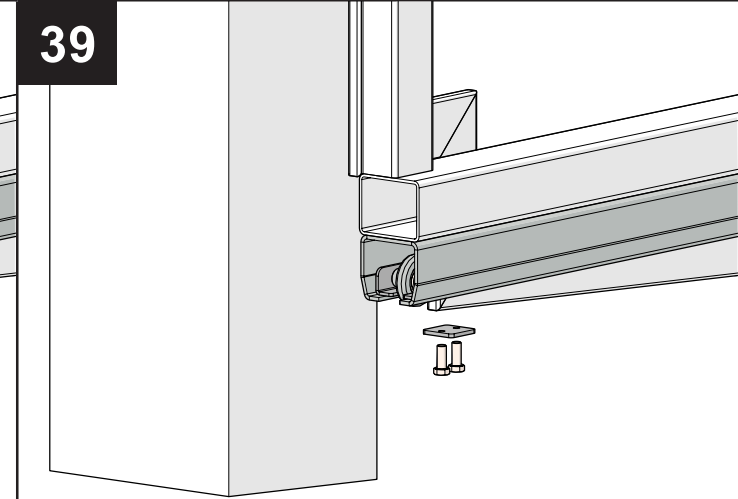
37



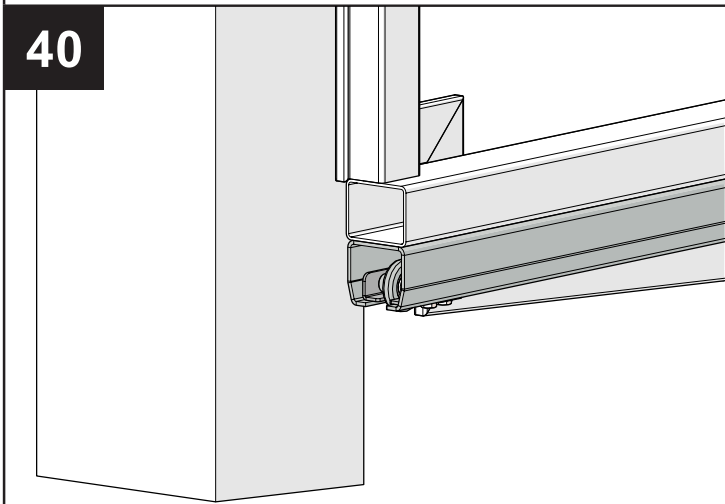
38



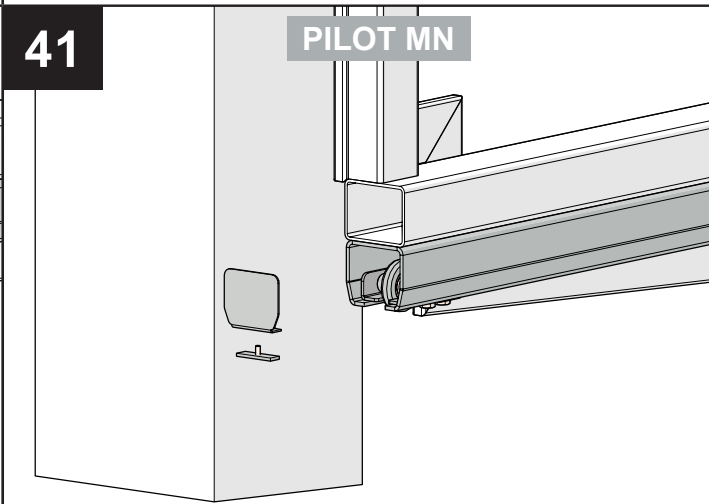
39



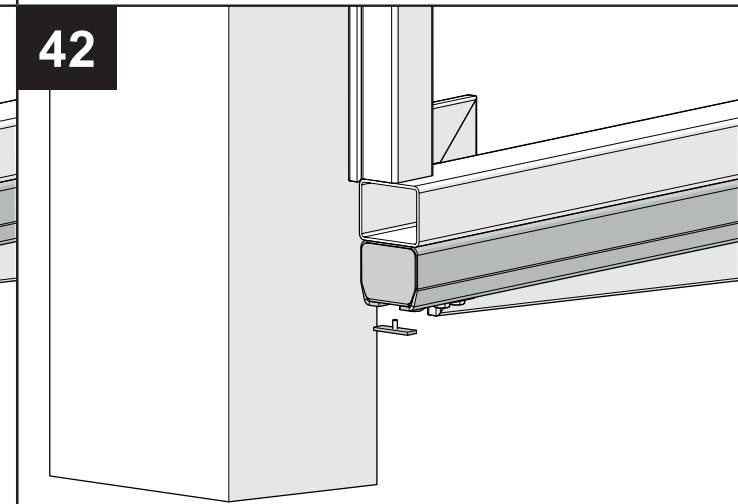
40



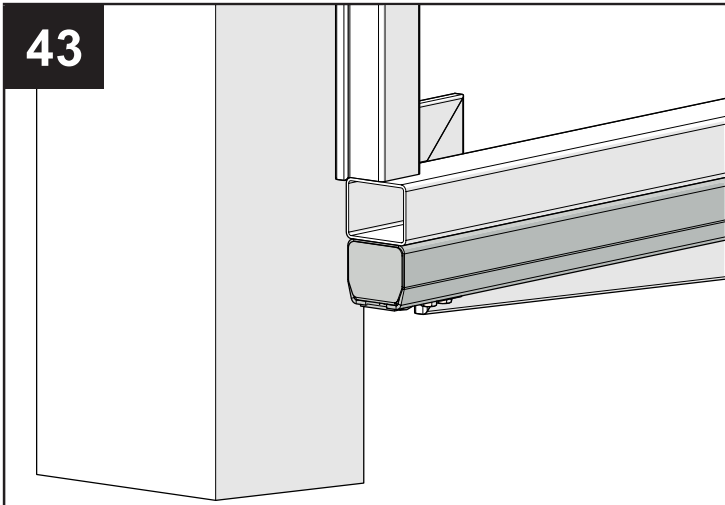
41



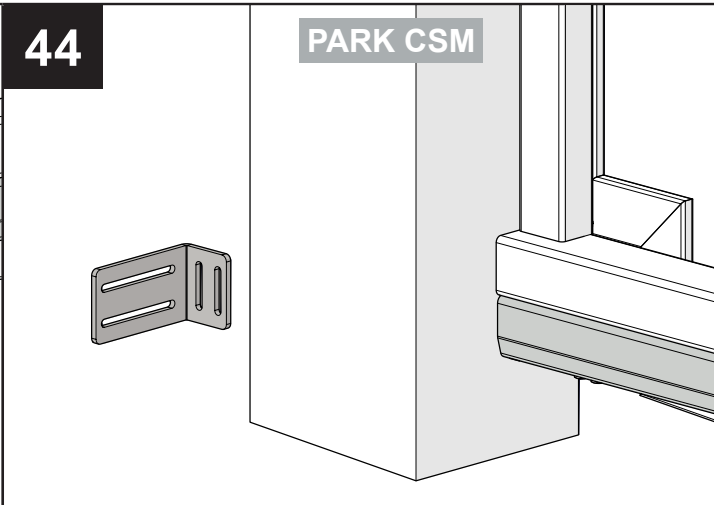
42



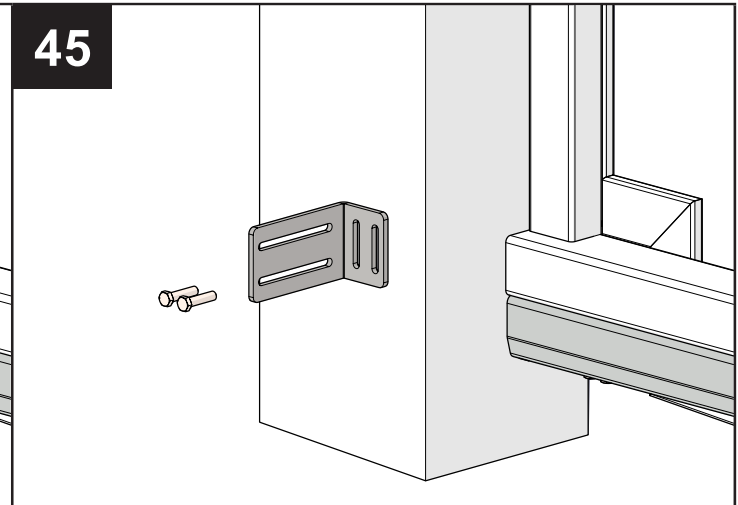
43



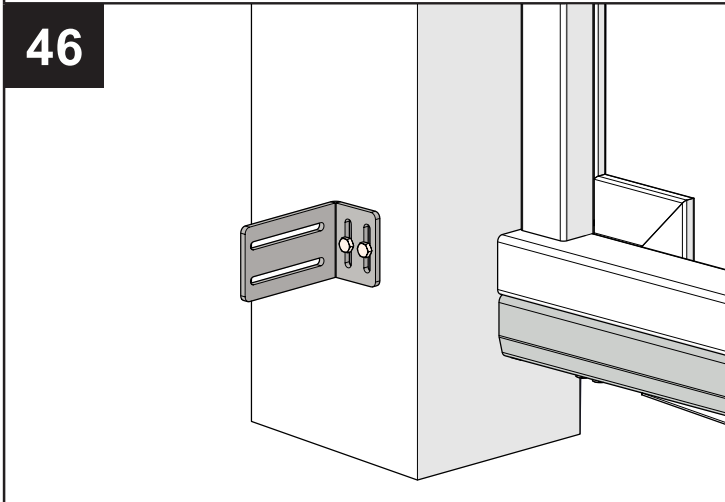
44



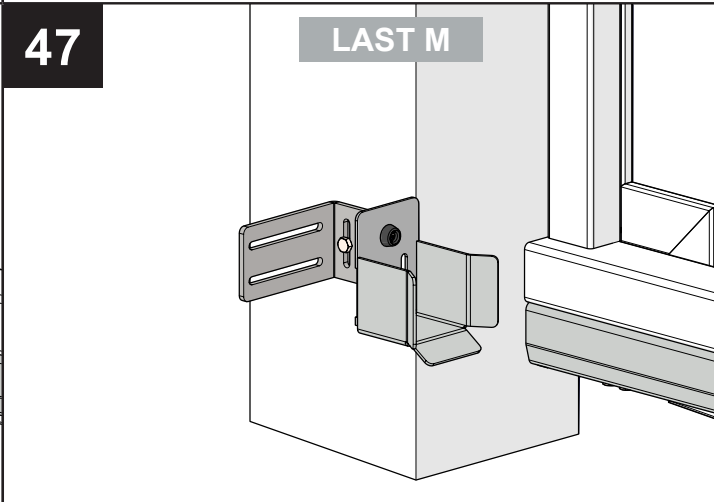
45



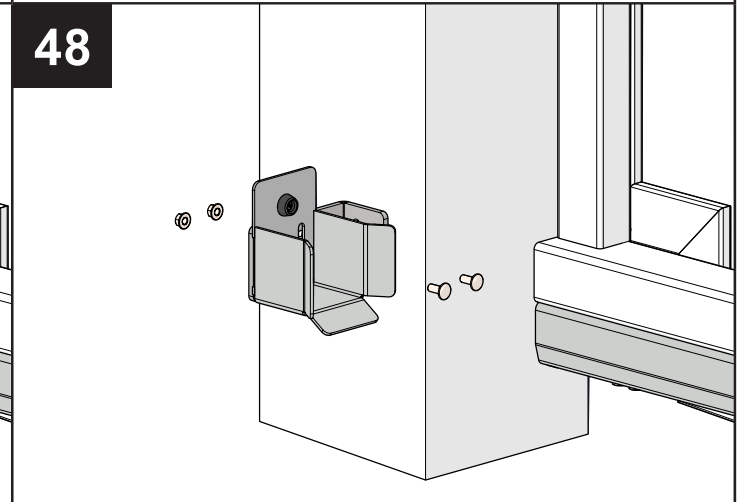
46



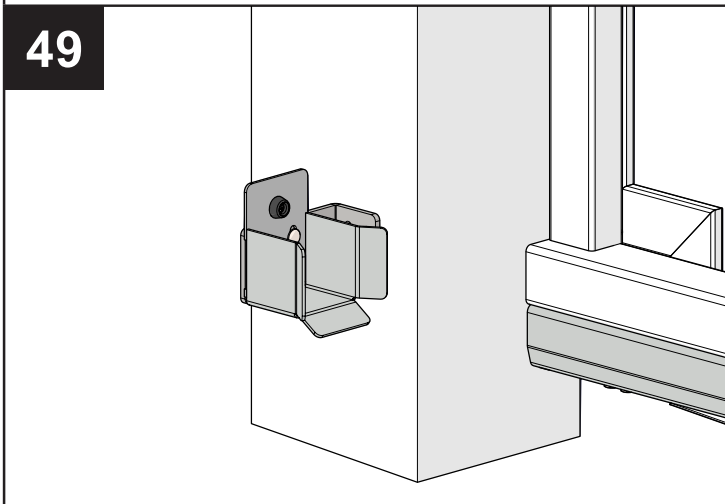
47



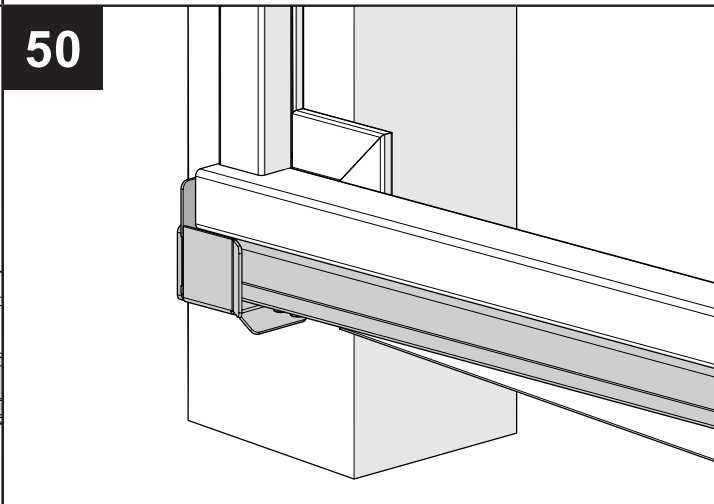
48



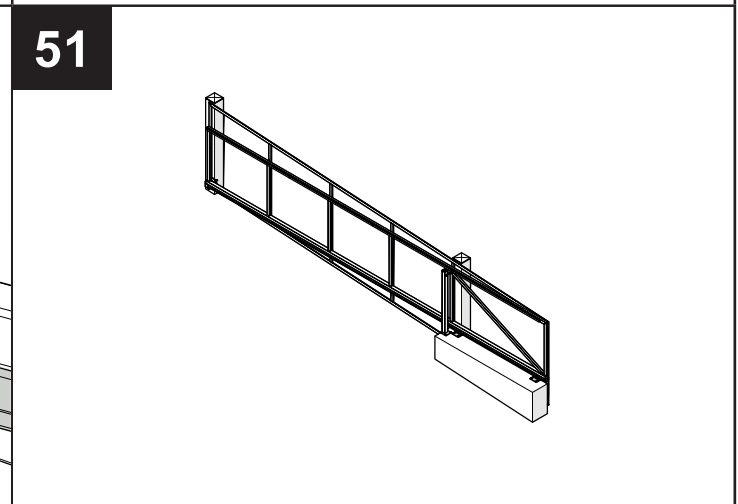
49



50

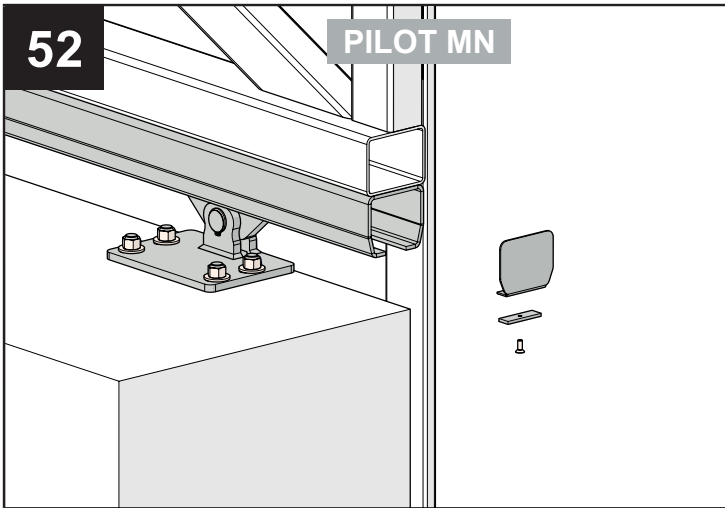


51

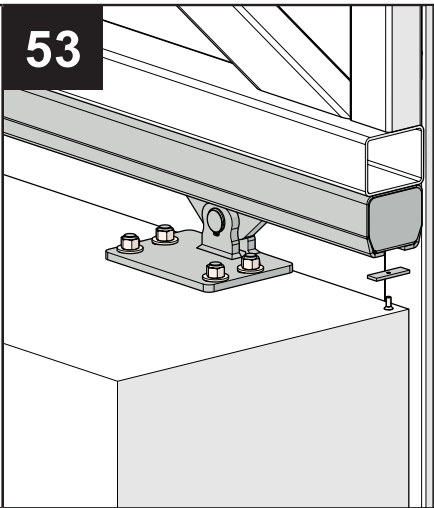


52

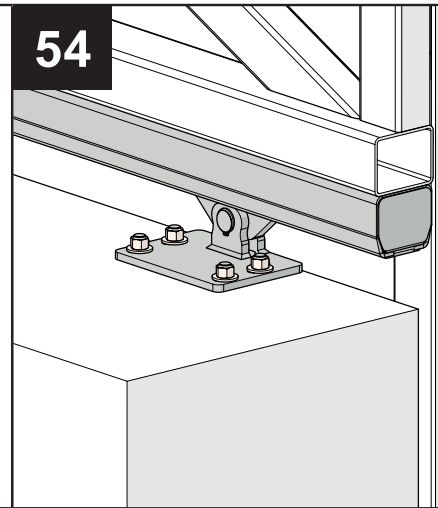
PILOT MN



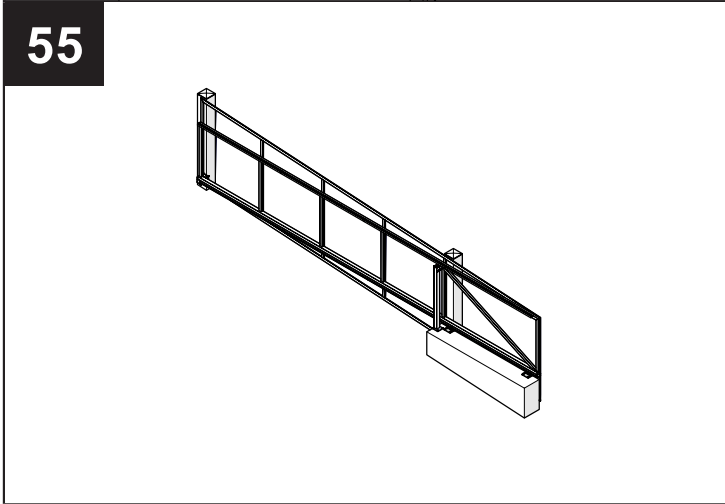
53



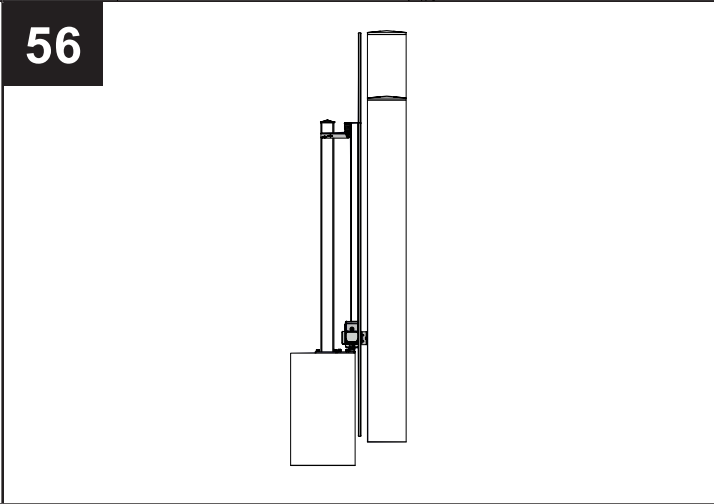
54



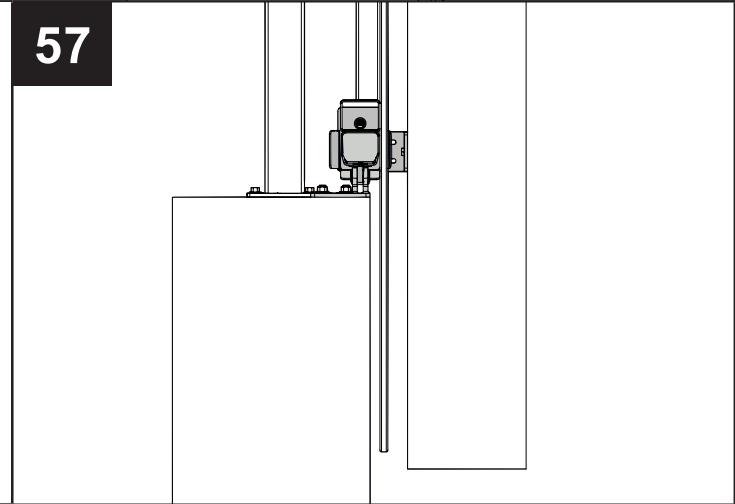
55



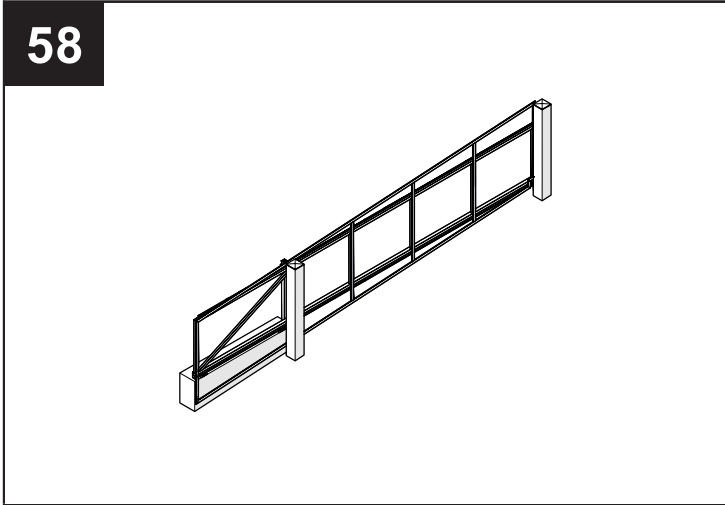
56



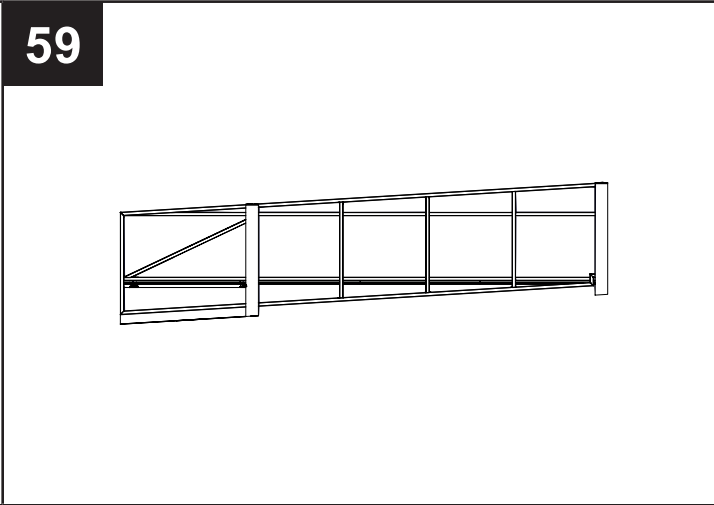
57



58



59





Įmonės kodas: 148167063

PVM mokėtojo kodas: LT481670610

Centrinis Biuras

Žagienio g. 12, LT-36209 Panevėžys

Mob.: +370 612 38009

Tel.: +370 45 586661

Faks.: +370 45 402225

E-paštas: Info@ometa.lt

Vilniaus Biuras

Pramonės g. 12, 14149 Vaidotai

Mob.: +370 615 90067

Tel.: +370 5 2761885

Faks.: +370 45 402225

E-paštas: Vilnius@ometa.lt